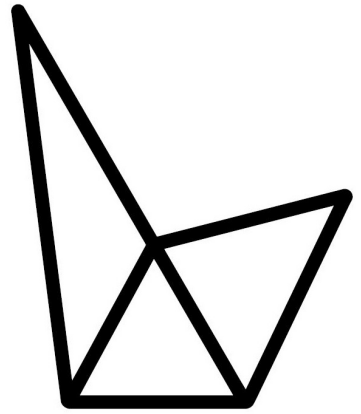
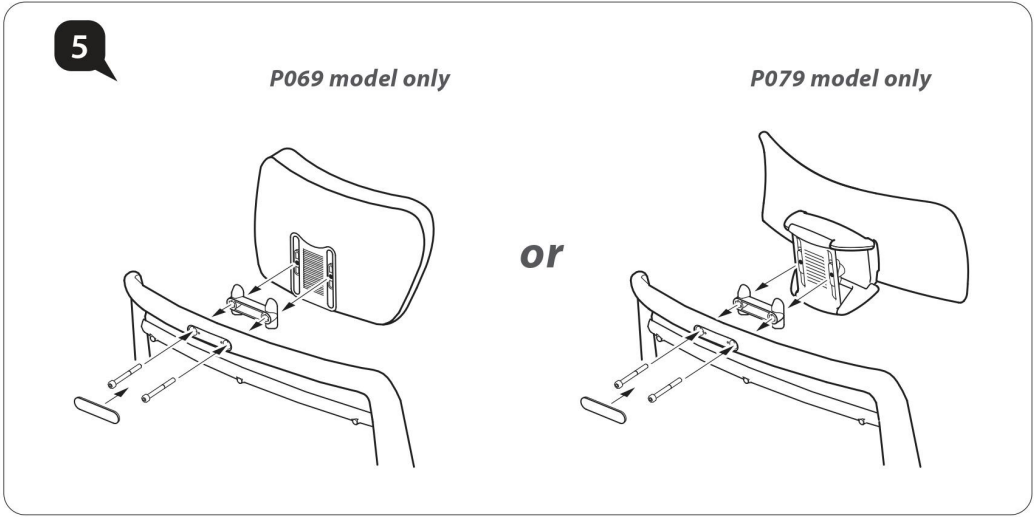
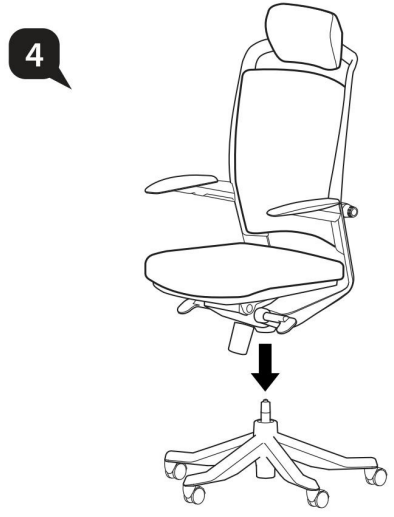
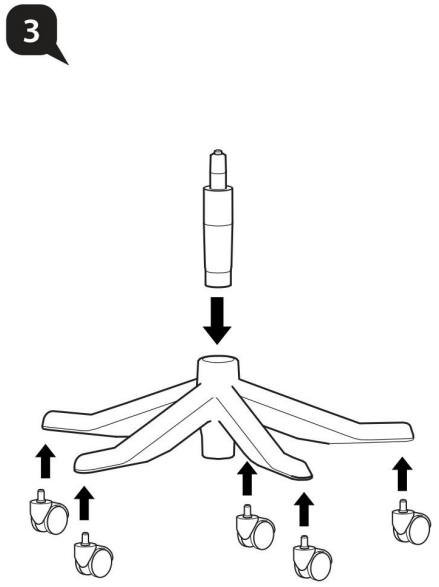
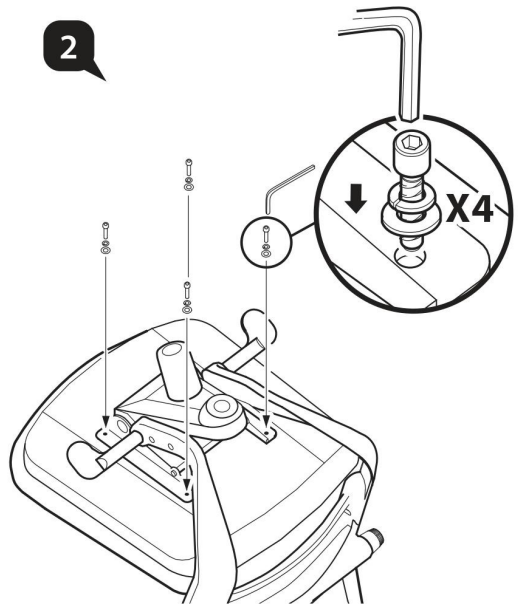
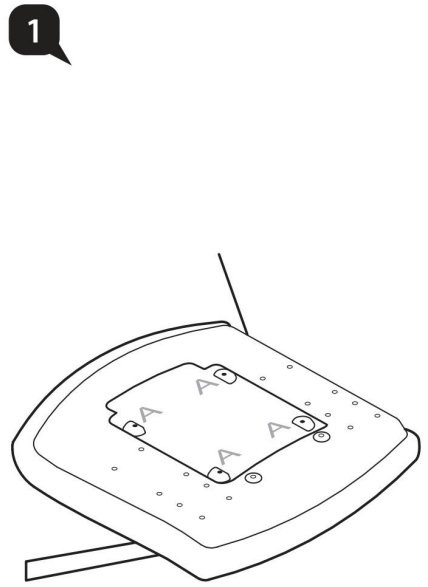
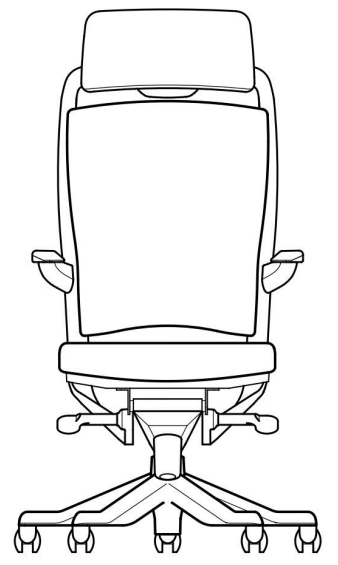


# Assembly Instruction



## Fulkrum

models: P079 YF B23 V  
P069 YF B23 V  
P068 YF B23 V  
P067 YF B23 V



# User Instructions

**A Seat Height Adjustment**  
Flip up lever on right-side to raise or lower set. Adjust such that your feet are adequately supported on floor.

**B Multi-Position Tilt Lock**  
Recline to the desired position, and flip down lever on left-side to lock. Flip up lever, and recline backwards to release tilt-lock.

**C Tilt Tension Control**  
Turn bottom knob clockwise to provide a stronger tilt tension, and vice-versa. Adjust such that minimum effort is required to push back when reclining.

**D Adjustable Lumbar Depth**  
Turn knobs on either side of back-frame to adjust depth of lumbar-support cushion. A slack mesh-back is normal and may be tensioned by adjusting the cushion forwards.

**E Adjustable Arm-pads**  
Arm-pads can be repositioned to front or back, and swivelled into desired position.

**F Adjustable Headrest Height (P079 and P069 models only)**  
Hold head-rest by both sides and pull up or push down to the desired height.

## Fulkrum

models: P079 YF B23 V  
P069 YF B23 V  
P068 YF B23 V  
P067 YF B23 V

