






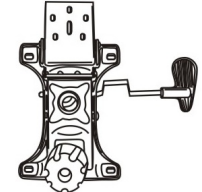





















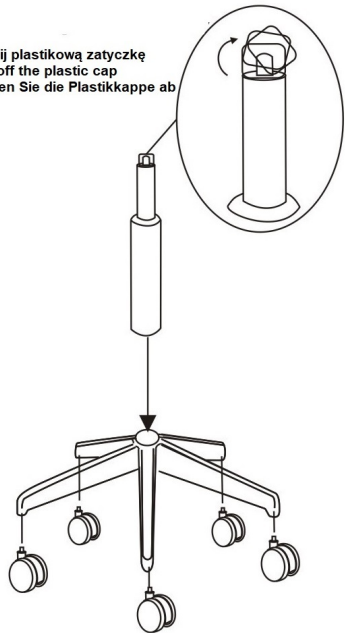


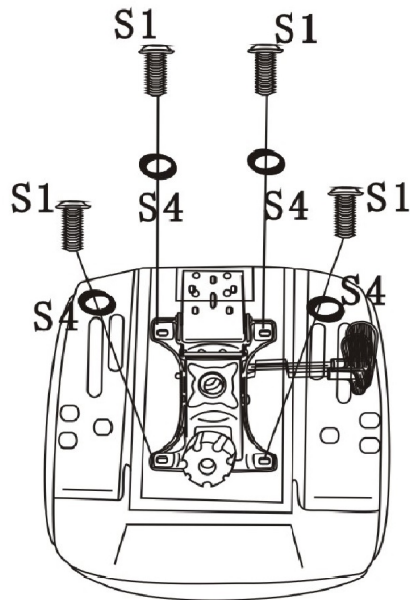
Zaglówek Headrest Kopfstütze	Oparcie Backrest Rückenlehne	Siedzisko Seat Sitzfläche	Podłokietnik Armrest Armlehnen	Kółko Caster Rollen	Podstawa Base Basis	Podnośnik Gaslift Gaslift	Mechanizm Mechanism Mechanismus	Zestawy śrub Screw sets Schraubensätze																																										
								<table border="1"> <tr> <td>S1</td> <td>X4</td> <td></td> </tr> <tr> <td>M6x20</td> <td></td> <td></td> </tr> <tr> <td>S2</td> <td>X6</td> <td></td> </tr> <tr> <td>M6x25</td> <td></td> <td></td> </tr> <tr> <td>S3</td> <td>X3</td> <td></td> </tr> <tr> <td>M8x16</td> <td></td> <td></td> </tr> <tr> <td>S4</td> <td>X10</td> <td></td> </tr> <tr> <td>M6x16x1.2</td> <td></td> <td></td> </tr> <tr> <td>S5</td> <td>X3</td> <td></td> </tr> <tr> <td>M8x22x1.2</td> <td></td> <td></td> </tr> <tr> <td>S6</td> <td>X1</td> <td></td> </tr> <tr> <td>M5</td> <td></td> <td></td> </tr> <tr> <td>S7</td> <td>X1</td> <td></td> </tr> <tr> <td>M5</td> <td></td> <td></td> </tr> </table>	S1	X4		M6x20			S2	X6		M6x25			S3	X3		M8x16			S4	X10		M6x16x1.2			S5	X3		M8x22x1.2			S6	X1		M5			S7	X1		M5		
S1	X4																																																	
M6x20																																																		
S2	X6																																																	
M6x25																																																		
S3	X3																																																	
M8x16																																																		
S4	X10																																																	
M6x16x1.2																																																		
S5	X3																																																	
M8x22x1.2																																																		
S6	X1																																																	
M5																																																		
S7	X1																																																	
M5																																																		
			X2	X5																																														

Krok 1
Step 1
Schritt 1

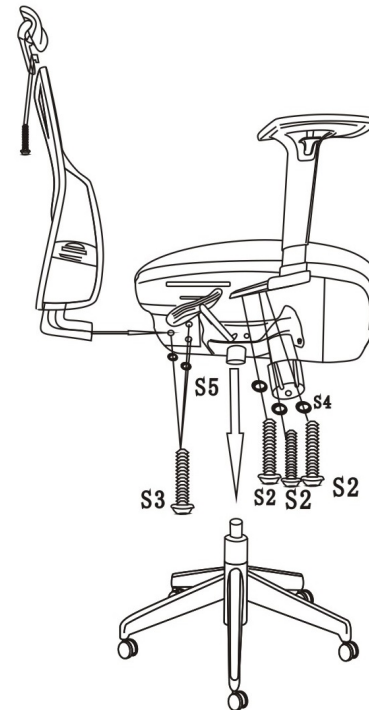
Zdejmij plastikową zatyczkę
Take off the plastic cap
Nehmen Sie die Plastikcappe ab



Krok 2
Step 2
Schritt 2



Krok 3
Step 3
Schritt 3



Instrukcja użytkowania fotela
Unique Ergonic



UNIQUE
DESIGN FOR PEOPLE

Regulacja podłokietników

