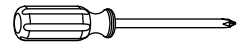
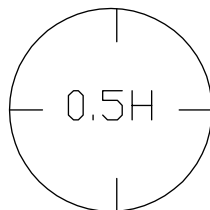
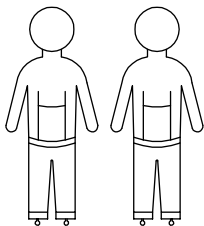
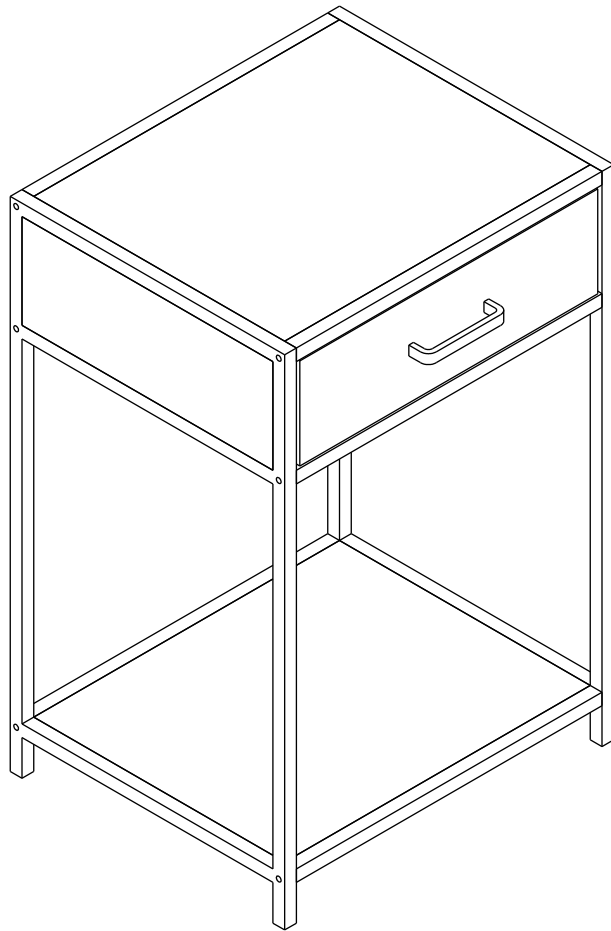
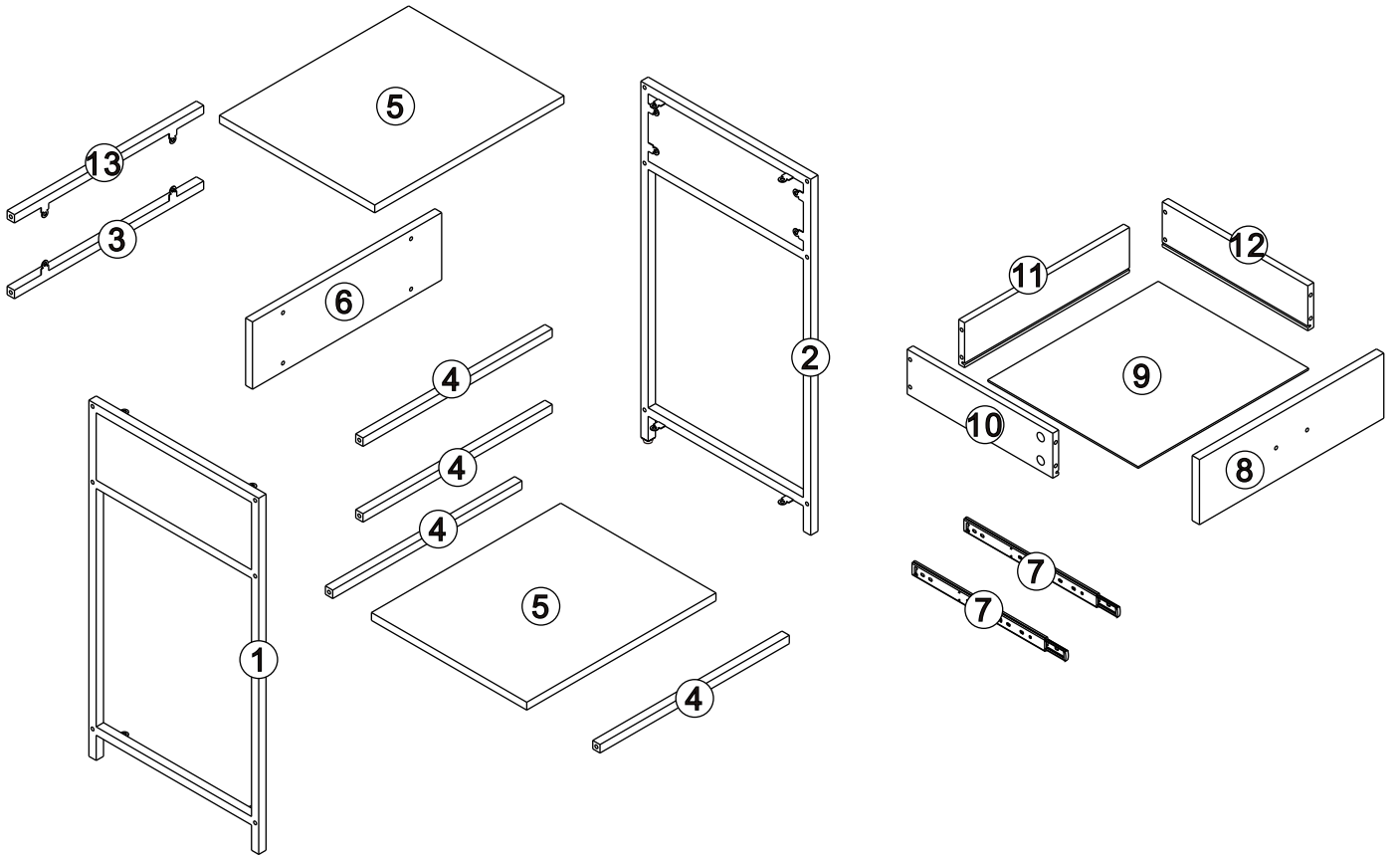
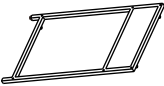
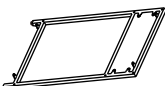


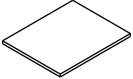
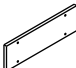

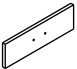
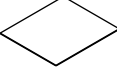







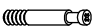









Seaford

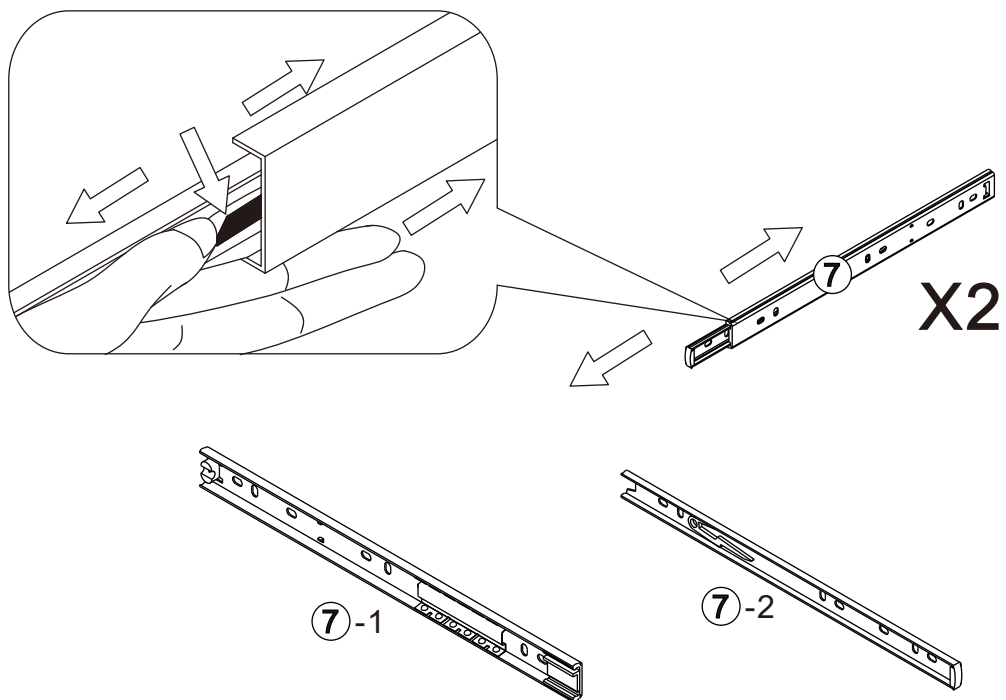




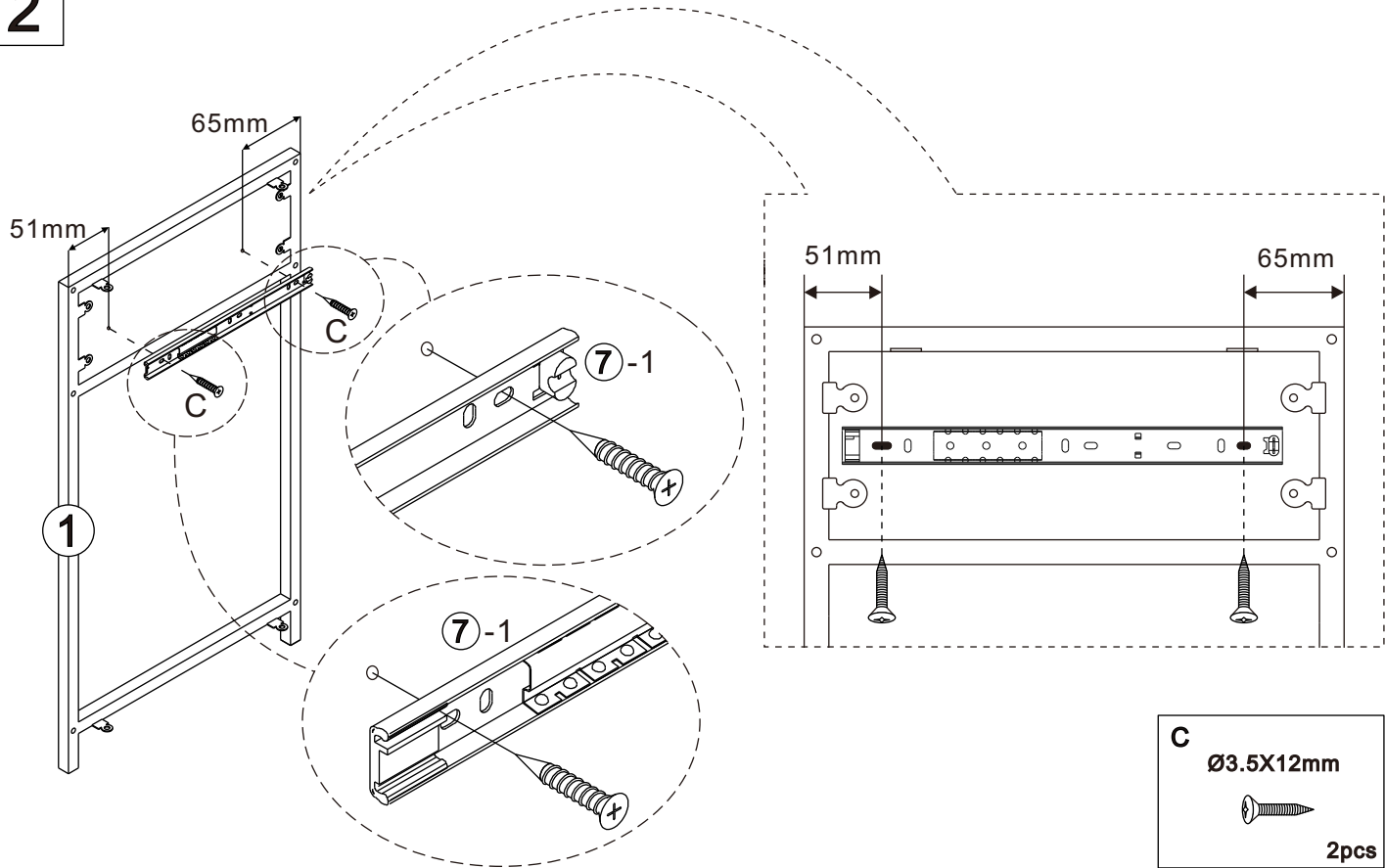
 1 1pc	 2 1pc	 3 1pc	 4 4pcs	 5 2pcs
 6 1pc	 7 2pcs	 8 1pc	 9 1pc	 10 1pc
 11 1pc	 12 1pc	 13 1pc		

A M6X15mm  12pcs	B Ø4X12mm  13pcs	C Ø3.5X12mm  8pcs	D M6X22mm  4pcs	E Ø12  4pcs	F Ø4X35mm  4pcs
G 101X24X11mm  1pc	H M4X18mm  2pcs	I 4mm  1pc	J Ø13  2pcs	K 200X25X1.3mm  1pc	

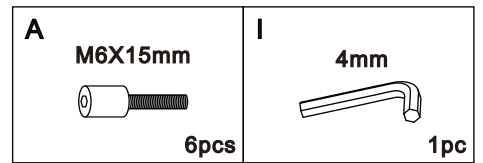
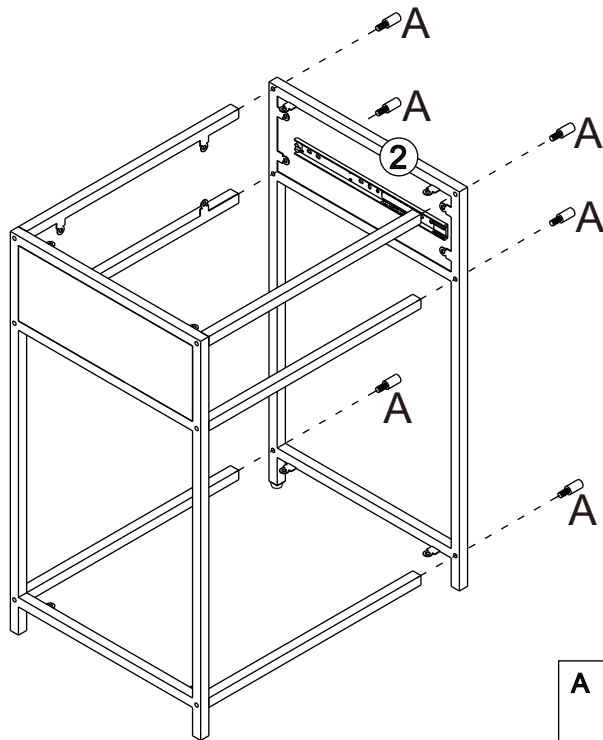
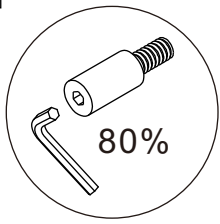
1



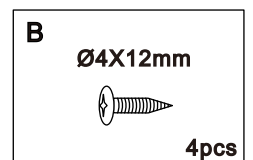
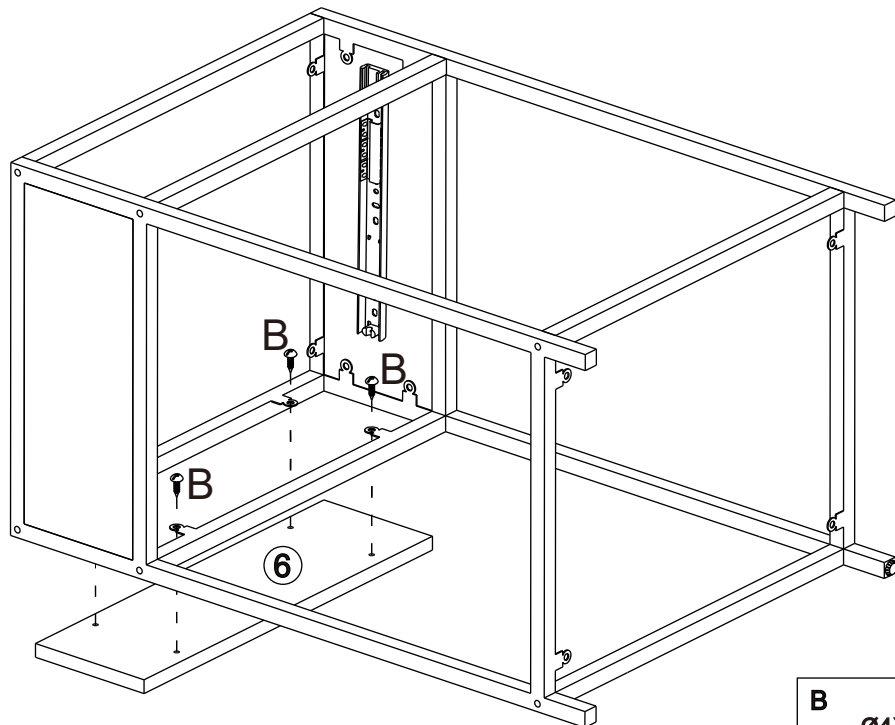
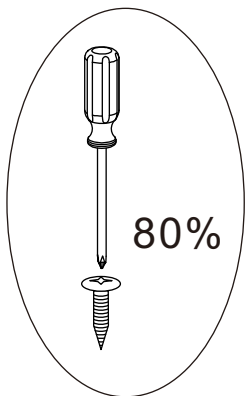
2



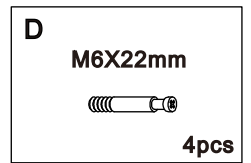
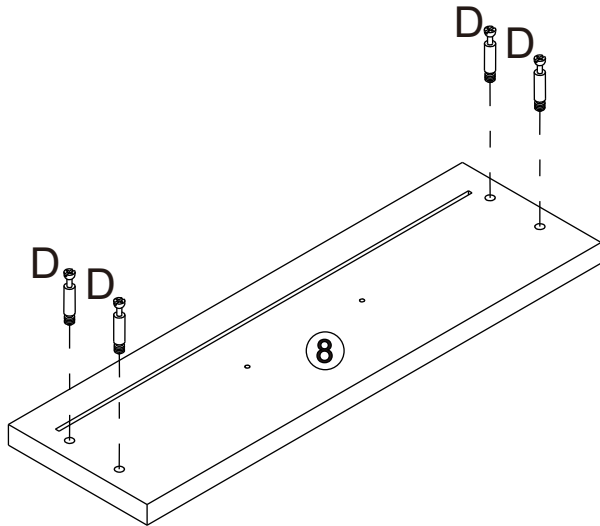
5



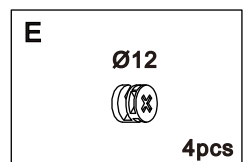
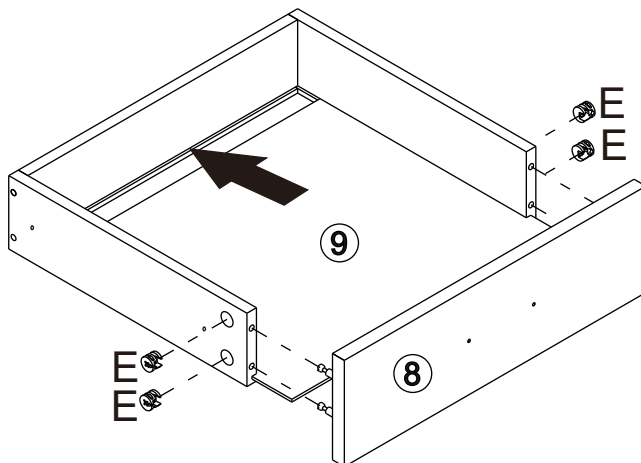
6

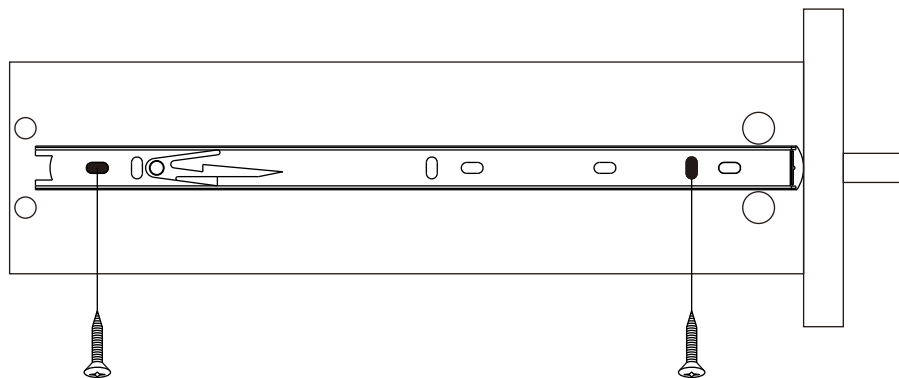
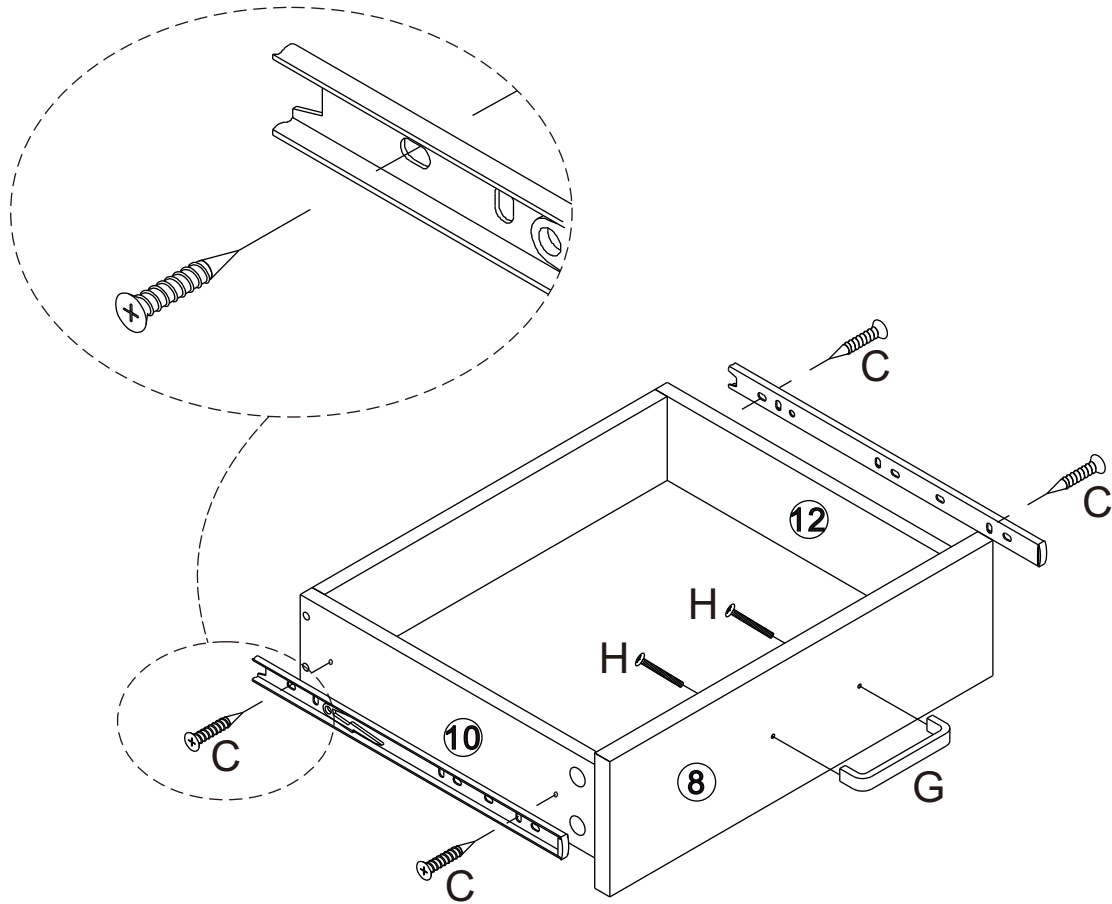





11



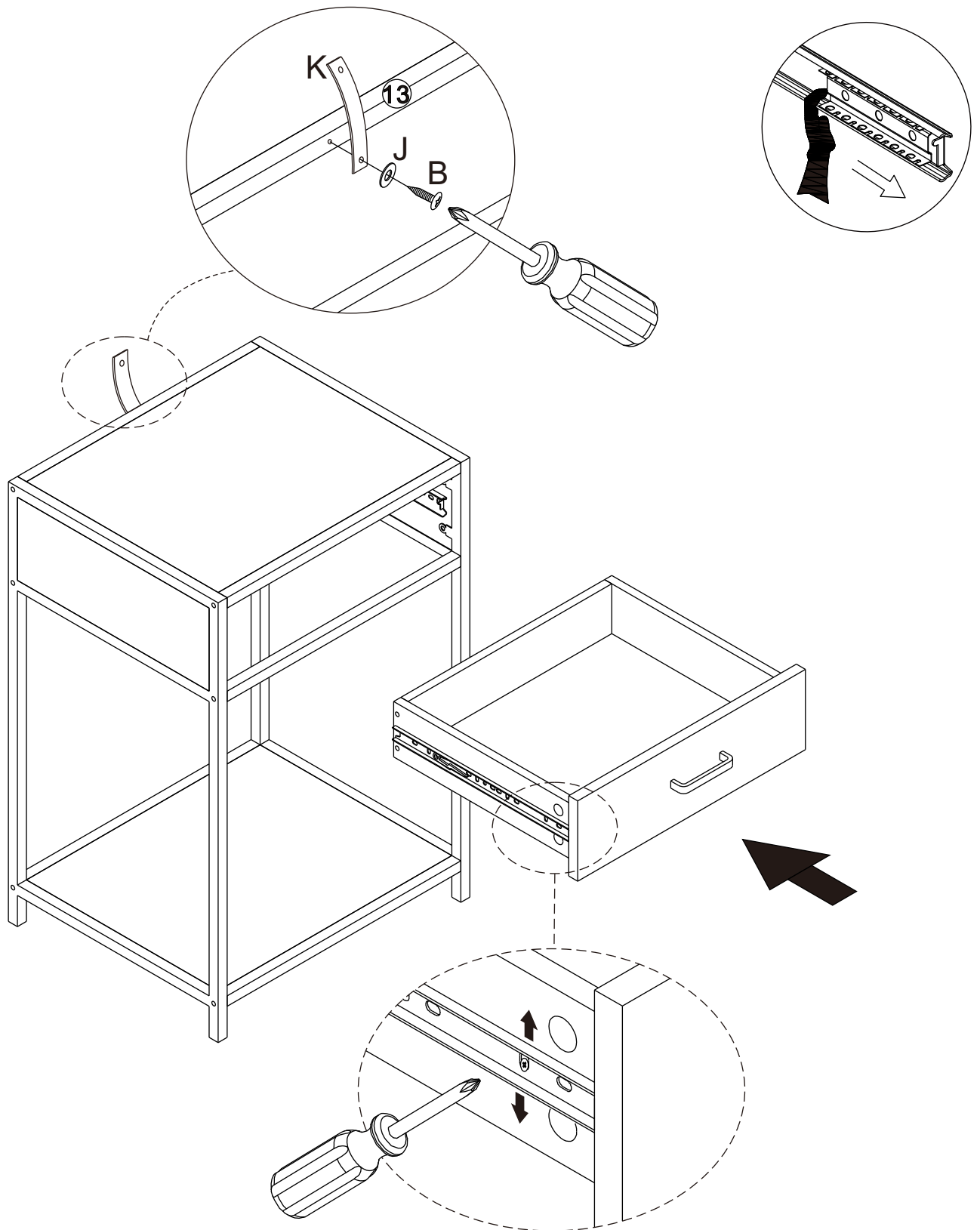
12








<p>C Ø3.5X12mm</p>  <p>4pcs</p>	<p>G 101X24X11mm</p>  <p>1pc</p>	<p>H M4X18mm</p>  <p>2pcs</p>
---	--	---

14



B Ø4X12mm  1pc	J Ø13  1pc	K 200X25X1.3mm  1pc
---	---	--

12

