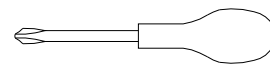
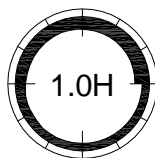
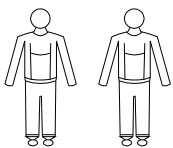
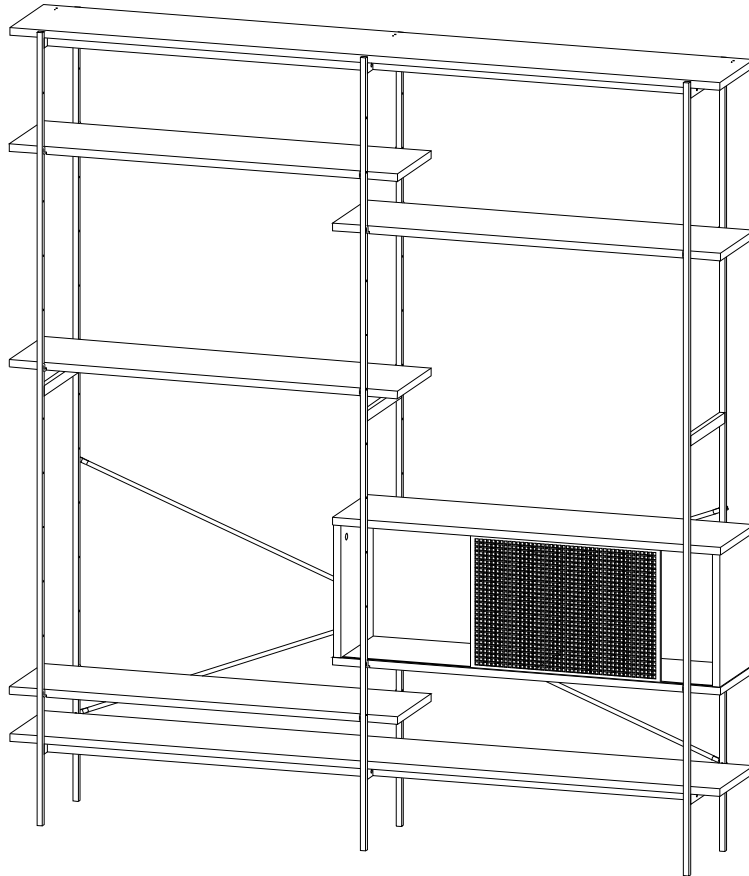
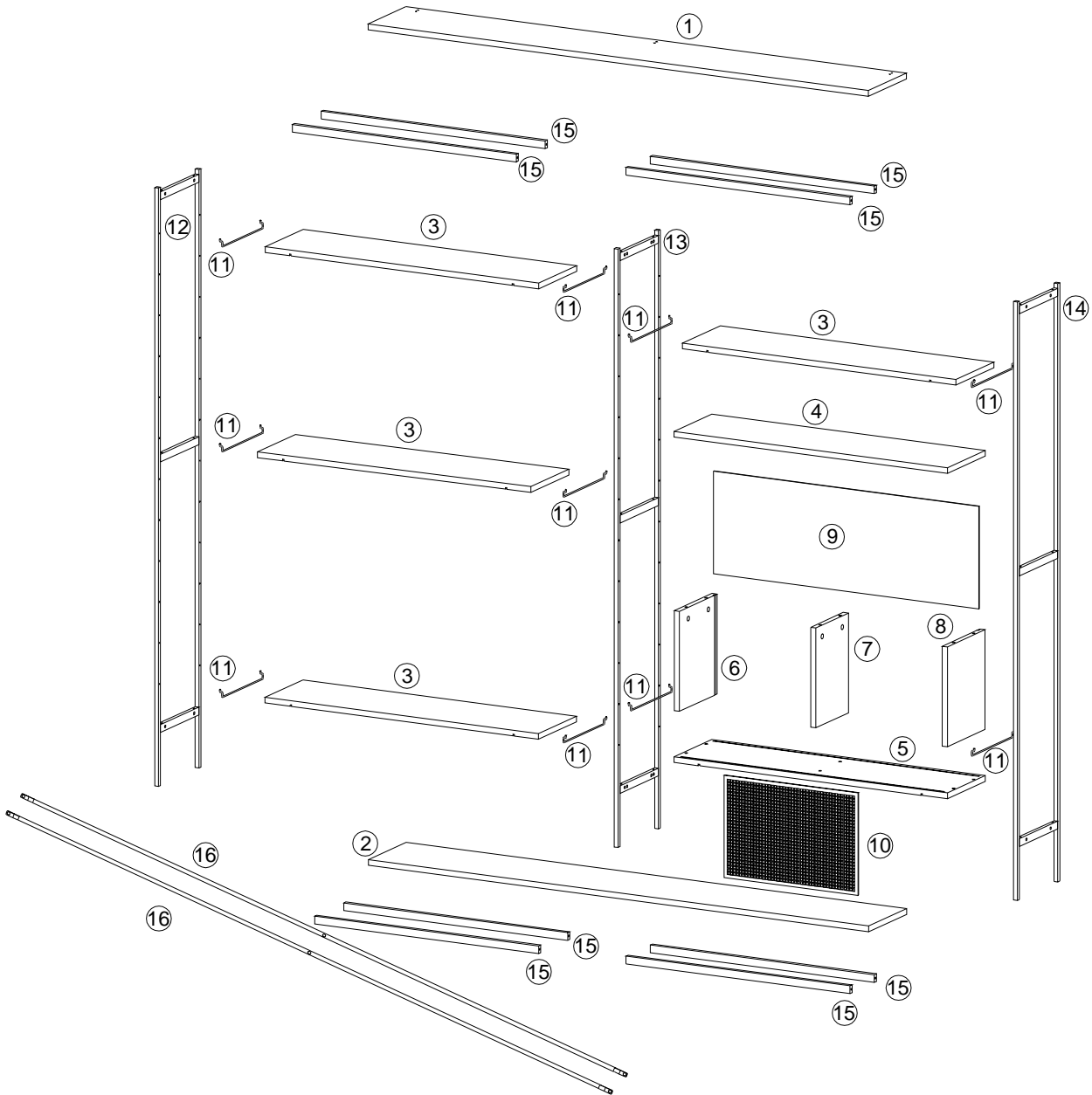
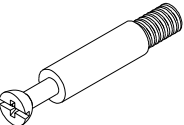
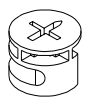


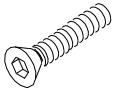
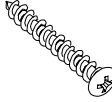
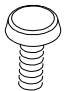

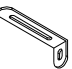
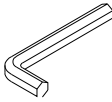




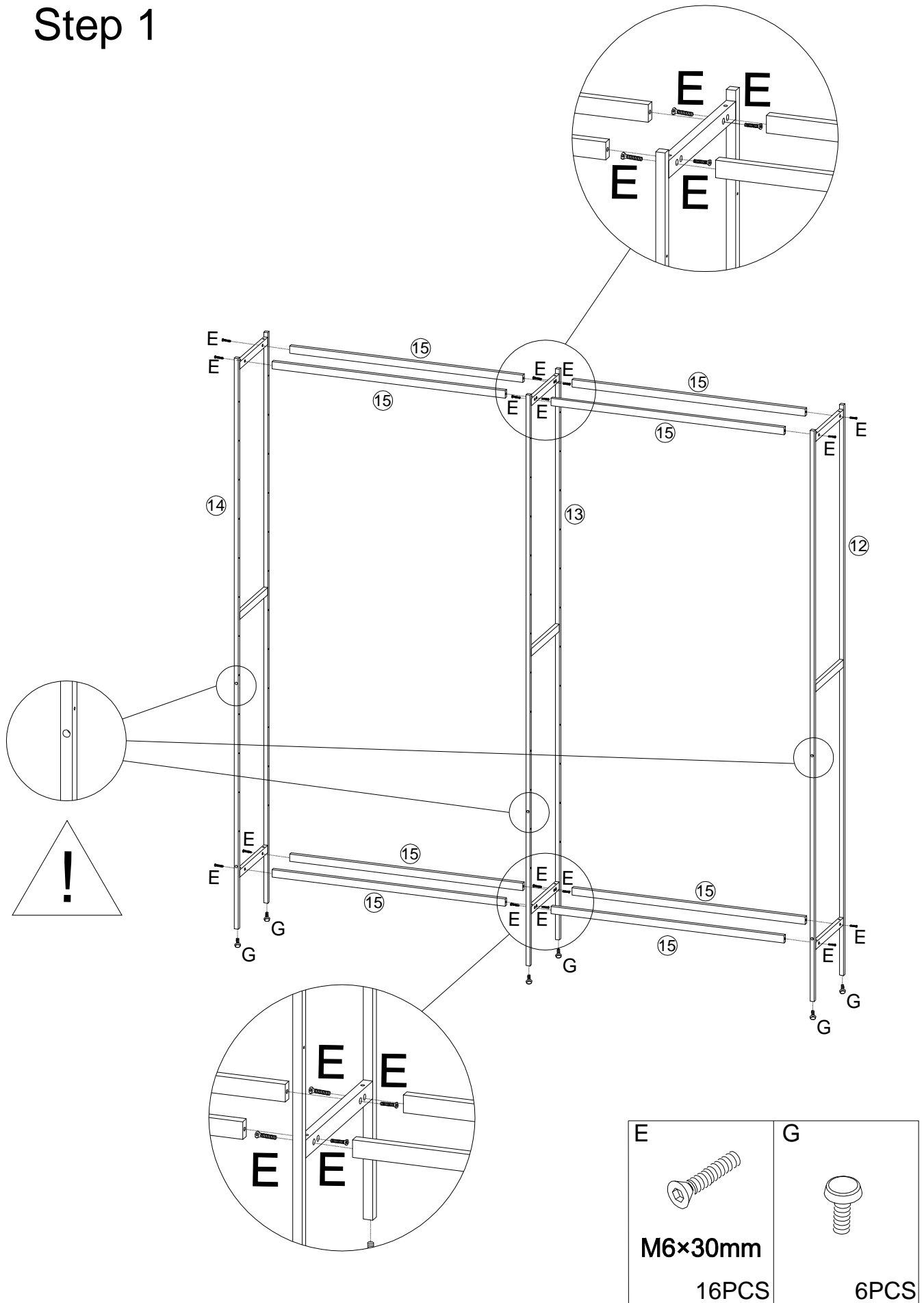
# Angus



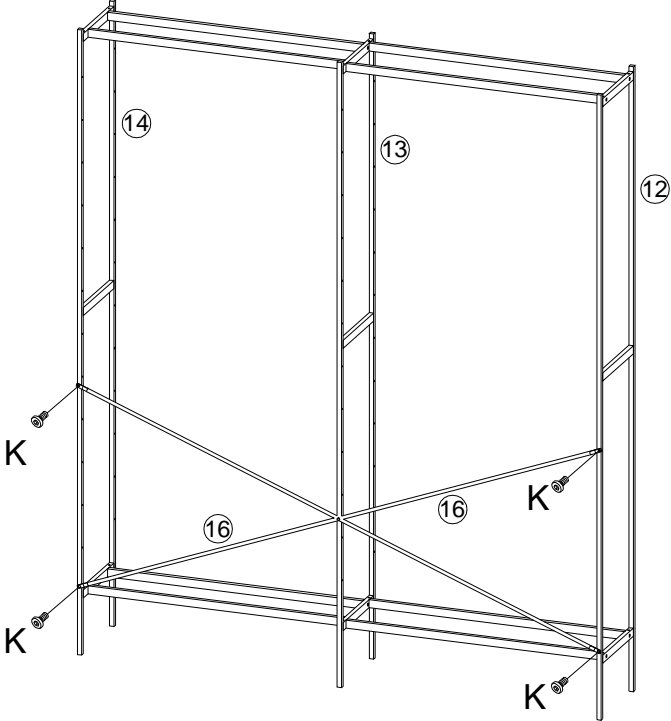
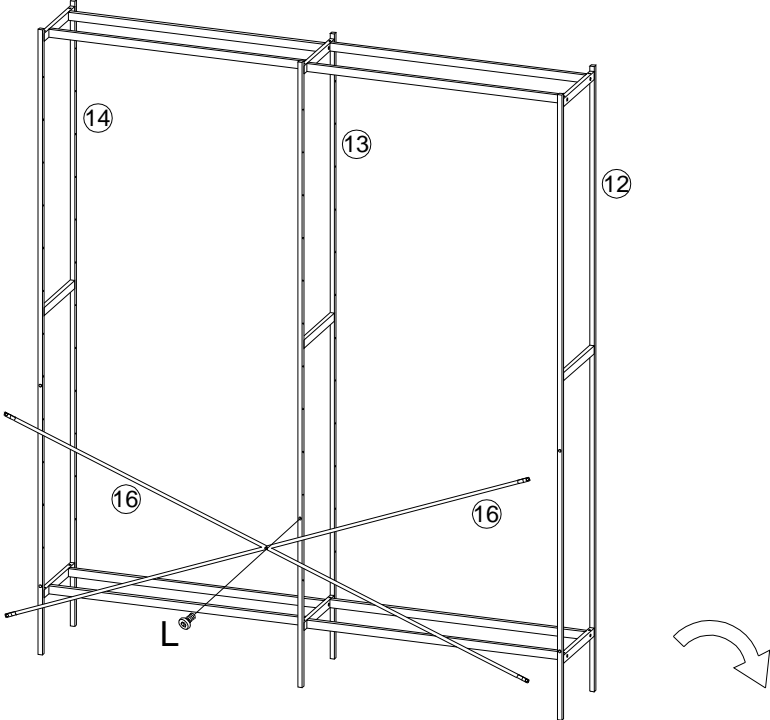



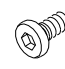
<b>A</b>  <b>M6×45mm</b> <b>6PCS</b>	<b>B</b>  <b>Ø15×12mm</b> <b>6PCS</b>	<b>C</b>  <b>Ø8×30mm</b> <b>12PCS</b>	<b>D</b>  <b>M7×38mm</b> <b>6PCS</b>	<b>E</b>  <b>M6×30mm</b> <b>16PCS</b>	<b>F</b>  <b>M4×35mm</b> <b>12PCS</b>
<b>G</b>  <b>6PCS</b>	<b>H</b>  <b>M4×15mm</b> <b>6PCS</b>	<b>I</b>  <b>3PCS</b>	<b>J</b>  <b>4mm</b> <b>1PC</b>	<b>K</b>  <b>M6×12mm</b> <b>4PCS</b>	<b>L</b>  <b>M6×18mm</b> <b>1PC</b>

# Step 1

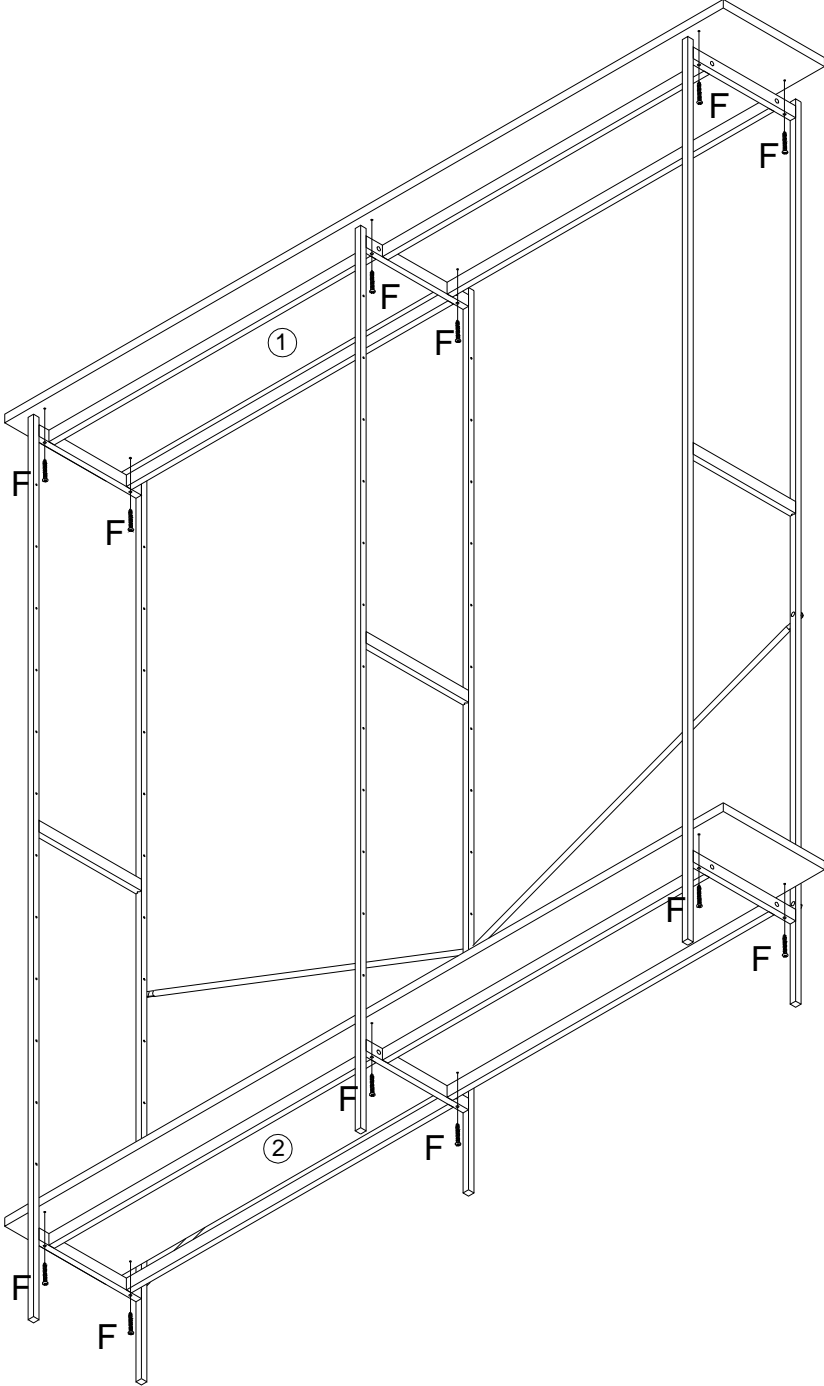


# Step 2

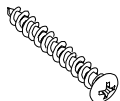


<p><b>K</b></p>  <p>M6×12mm</p> <p>4PCS</p>	<p><b>L</b></p>  <p>M6×18mm</p> <p>1PC</p>
--	---

# Step 3



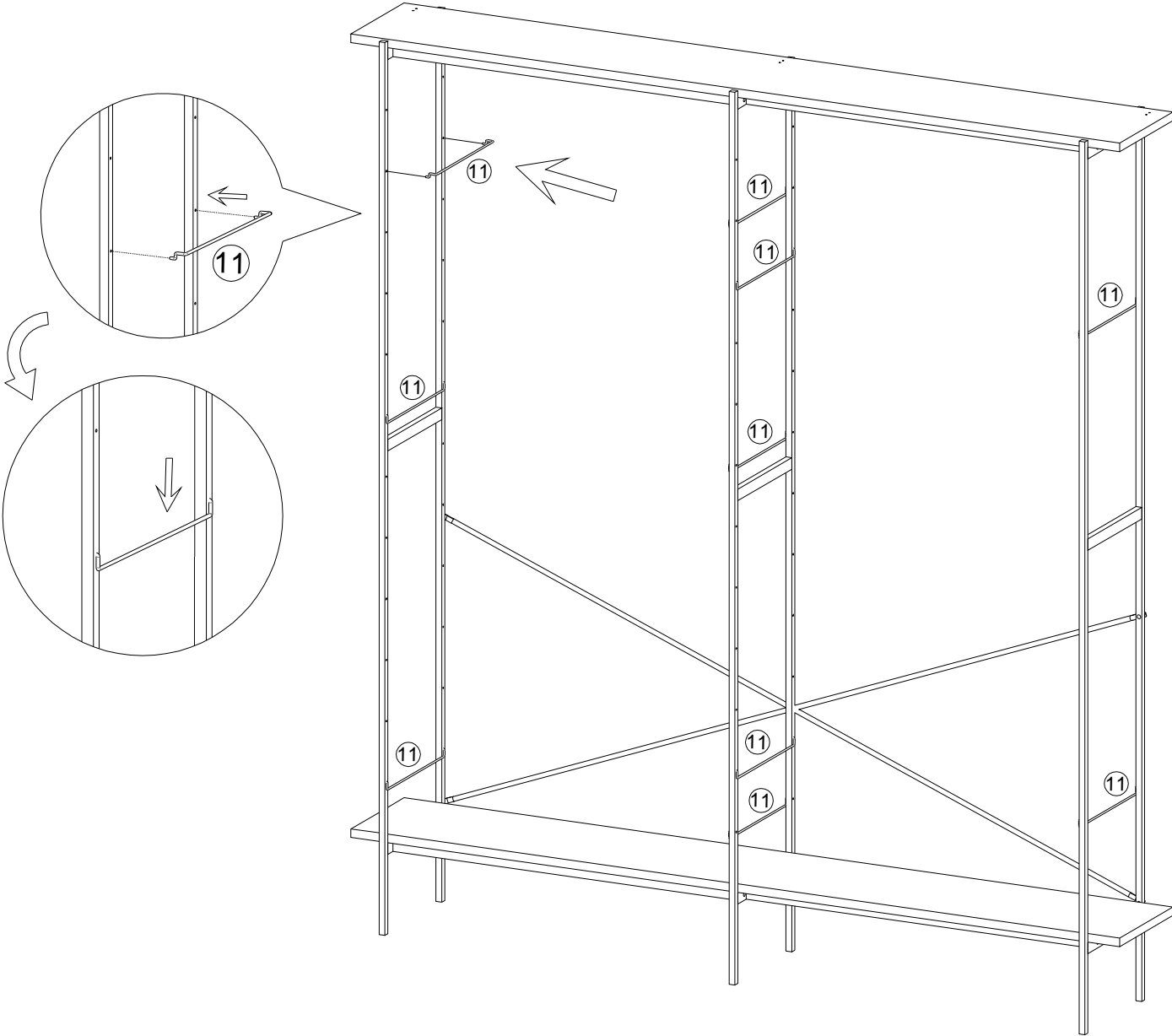
F



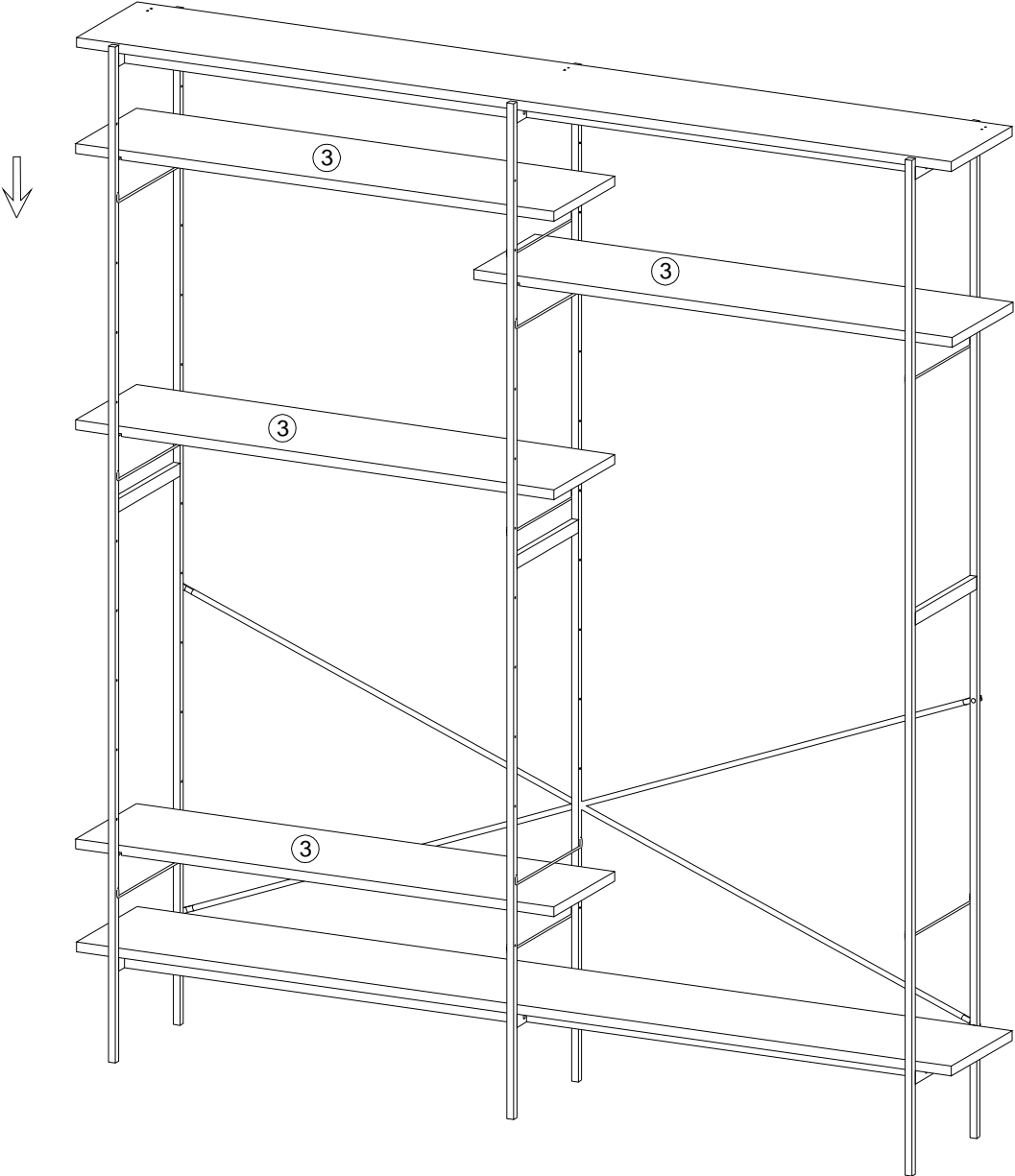
M4×35mm  
12PCS

# Step 4

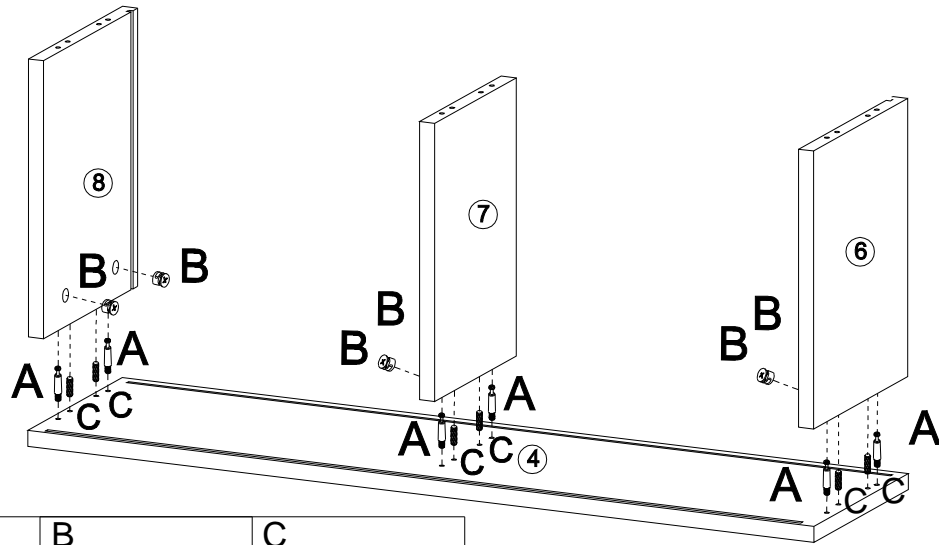
11x10 PCS

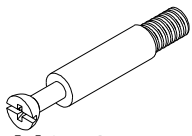
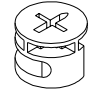



# Step 5

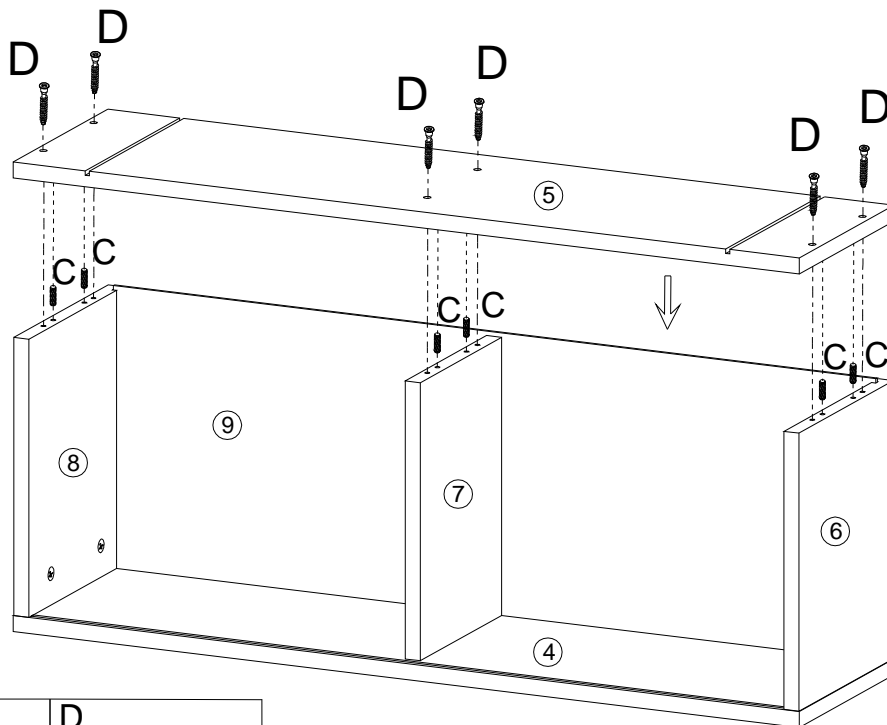



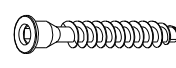
## Step 6



<p>A</p>  <p>M6×45mm</p> <p>6PCS</p>	<p>B</p>  <p>Ø15×12mm</p> <p>6PCS</p>	<p>C</p>  <p>Ø8×30mm</p> <p>6PCS</p>
---	--	---

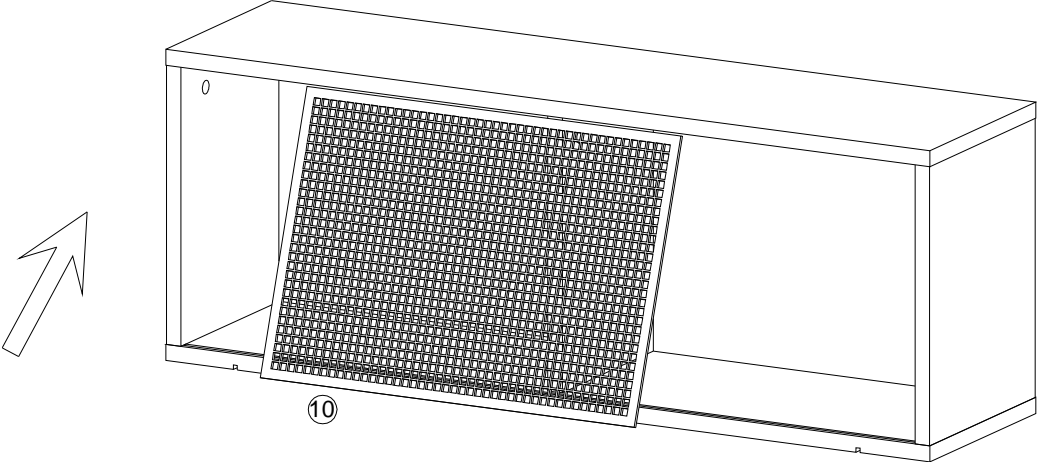
## Step 7



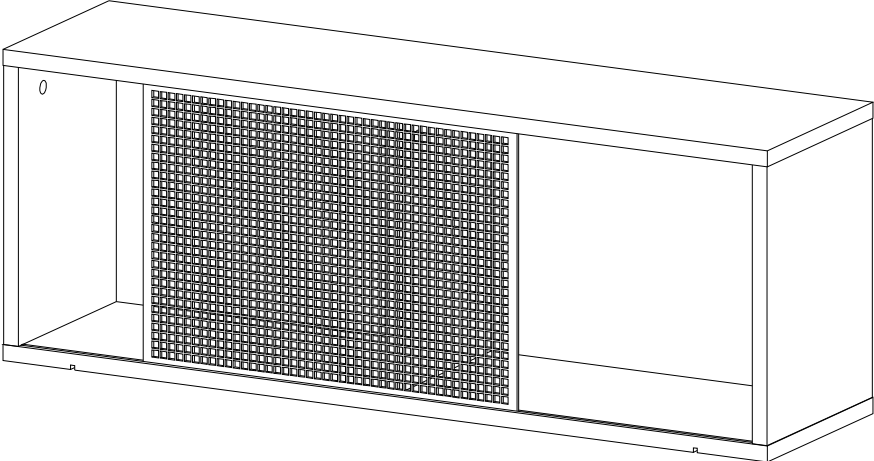
<p>C</p>  <p>Ø8×30mm</p> <p>6PCS</p>	<p>D</p>  <p>M7×38mm</p> <p>6PCS</p>
---	---



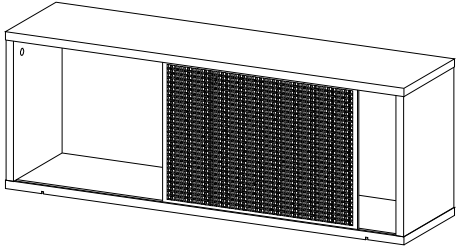
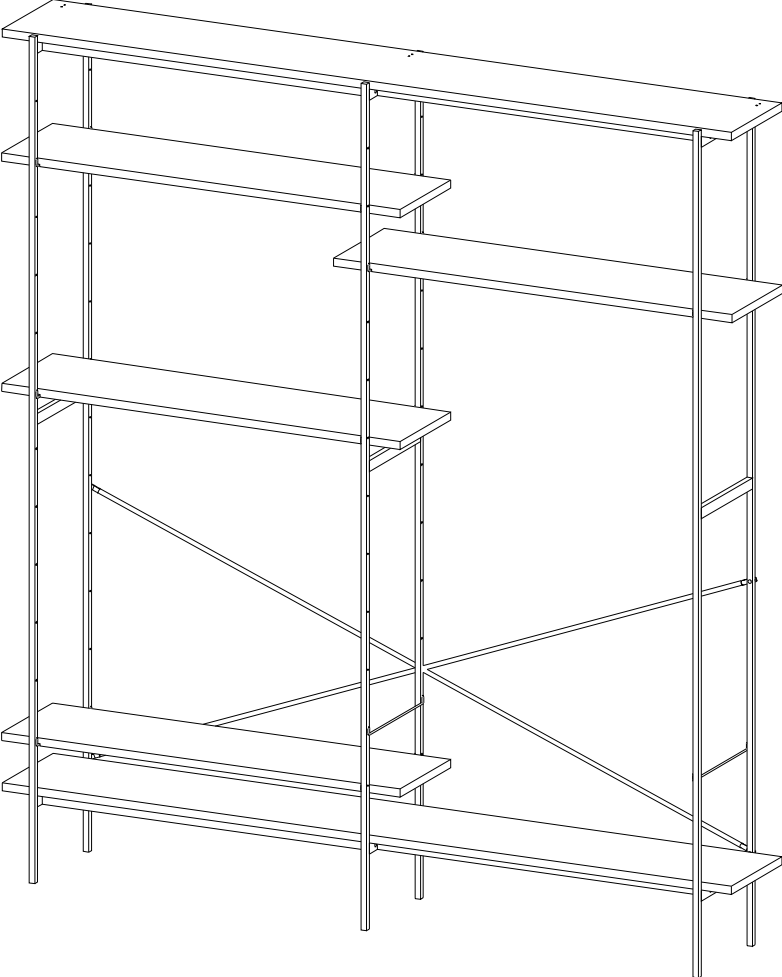
# Step 8



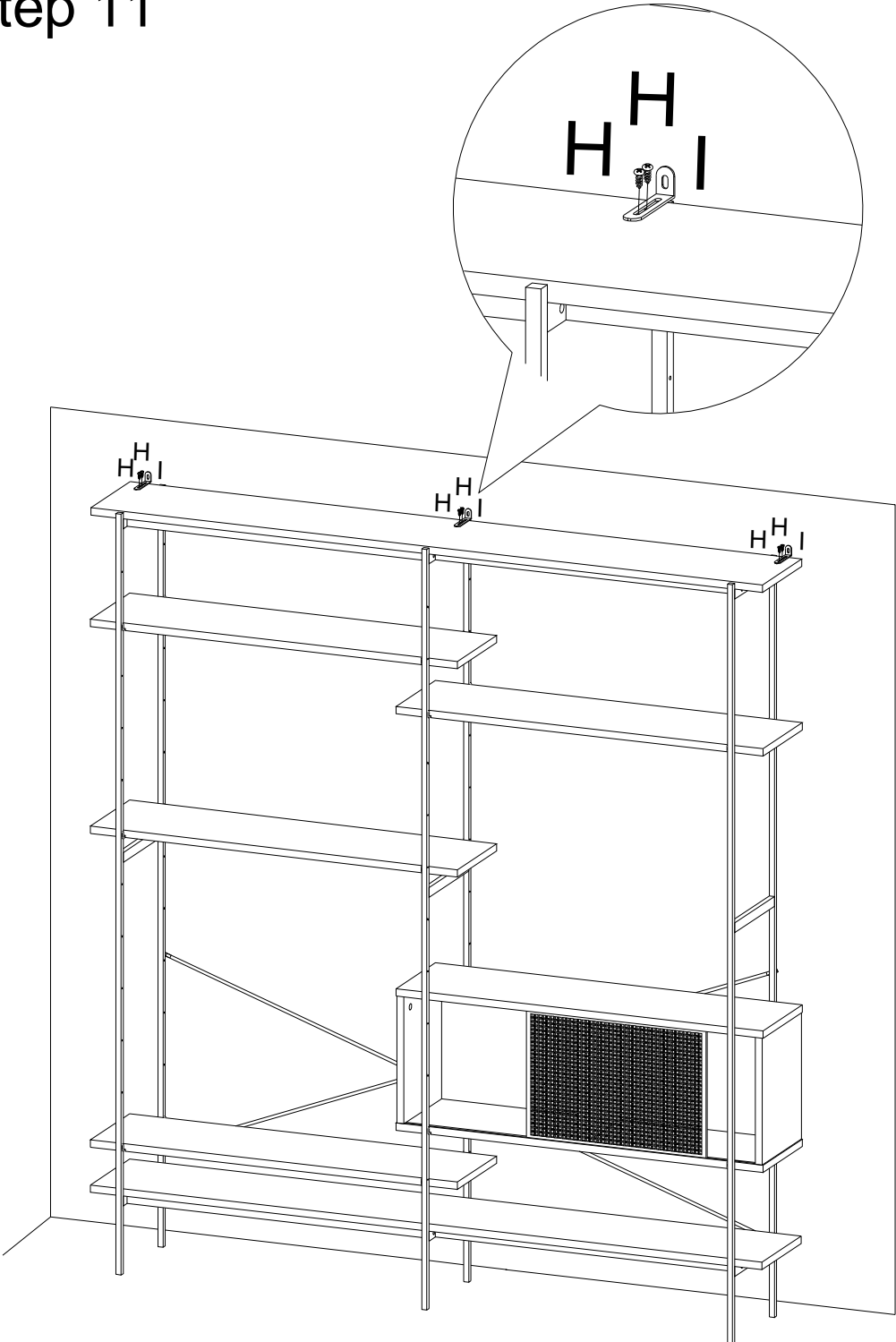
# Step 9


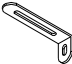


# Step 10



# Step 11



H	I
 M4×15mm 6PCS	 3PCS

# Step 12

