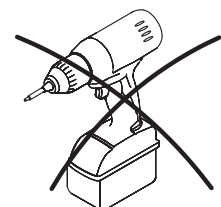
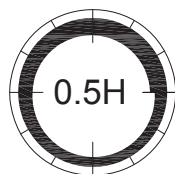
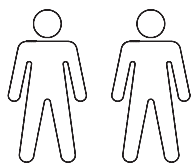
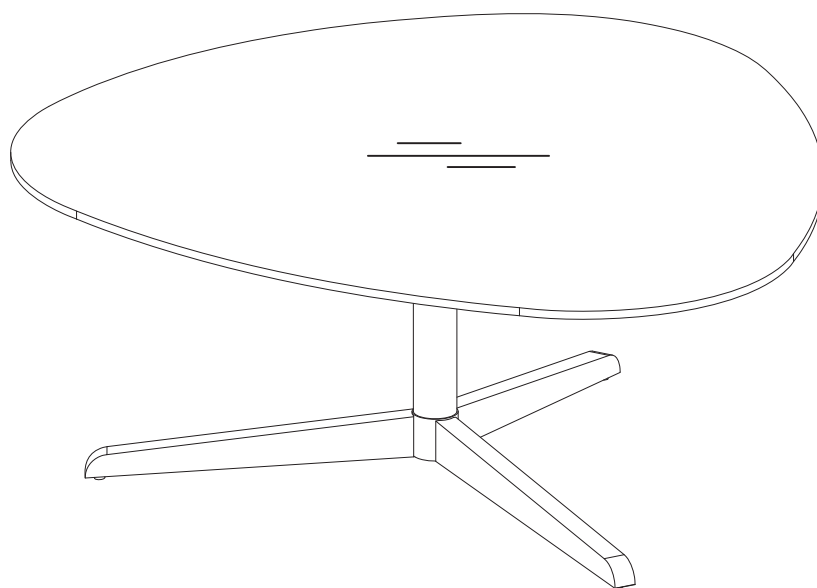
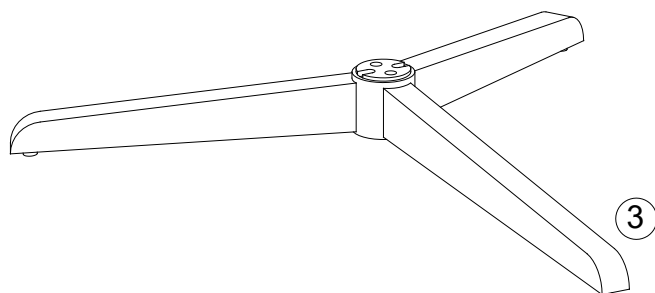
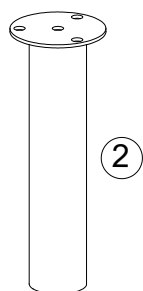
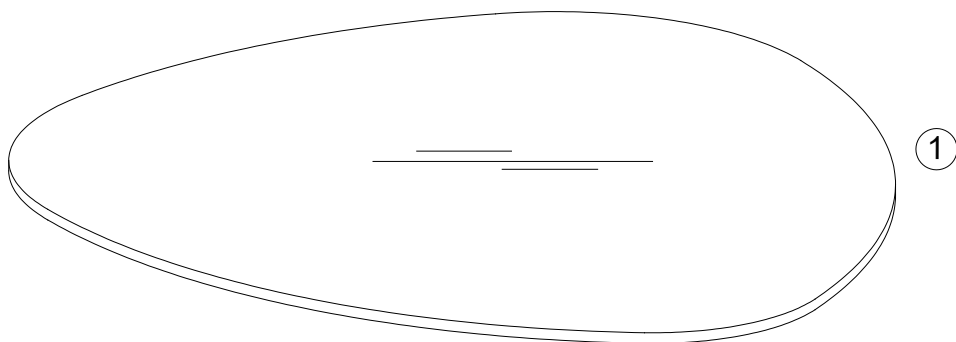
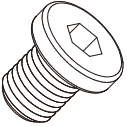
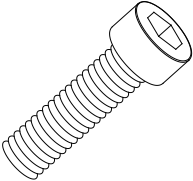
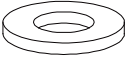





BARNESLEY





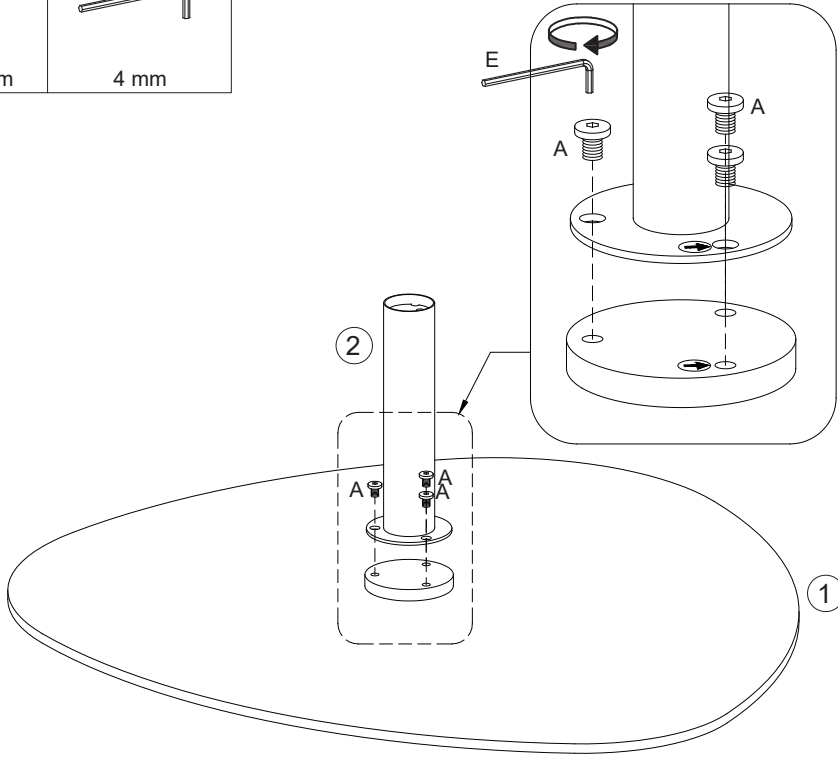
			✓
①	1	840x770x24	
②	1	Ø85x241	
③	1	568x571x87	



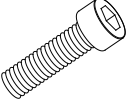



<p>A x 3</p>  <p>M8 x 10 mm</p>	<p>B x 2</p>  <p>M8 x 30 mm</p>	<p>C x 2</p>  <p>Ø8.5/Ø16 mm</p>	<p>D x 2</p>  <p>Ø8.5/Ø13 mm</p>	<p>E x 1</p>  <p>4 mm</p>
<p>F x 1</p>  <p>6 mm</p>				

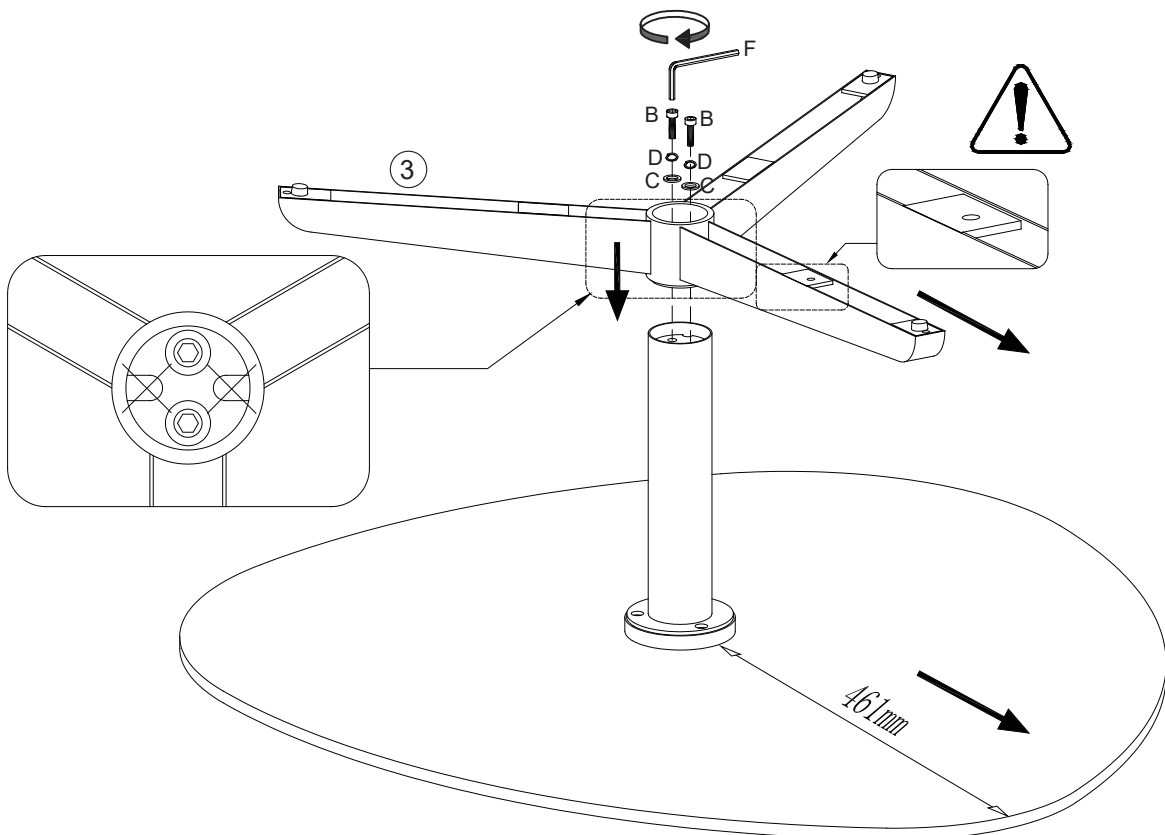
1

A x 3	E x 1
	
M8 x 10 mm	4 mm

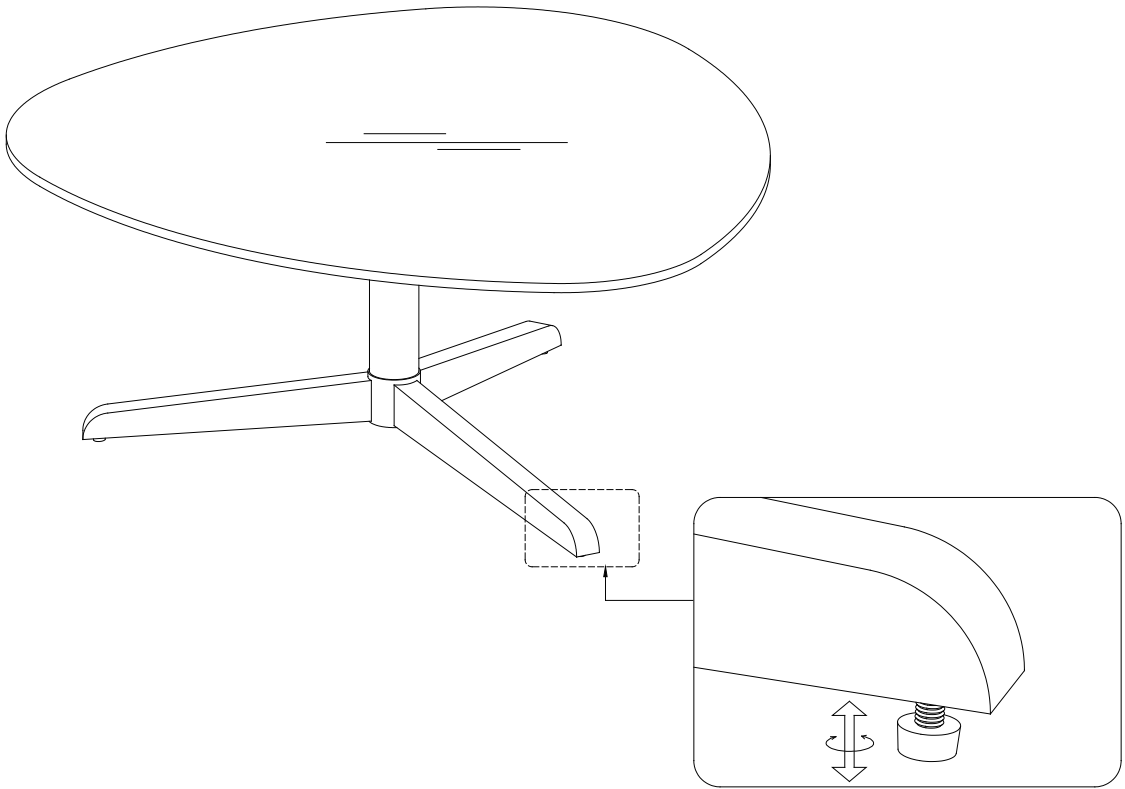


2

B x 2	C x 2	D x 2	F x 1
			
M8 x 30 mm	Ø8.5/Ø16 mm	Ø8.5/Ø13 mm	6 mm



3



4

