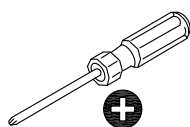
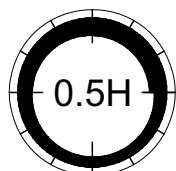
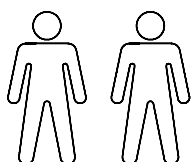
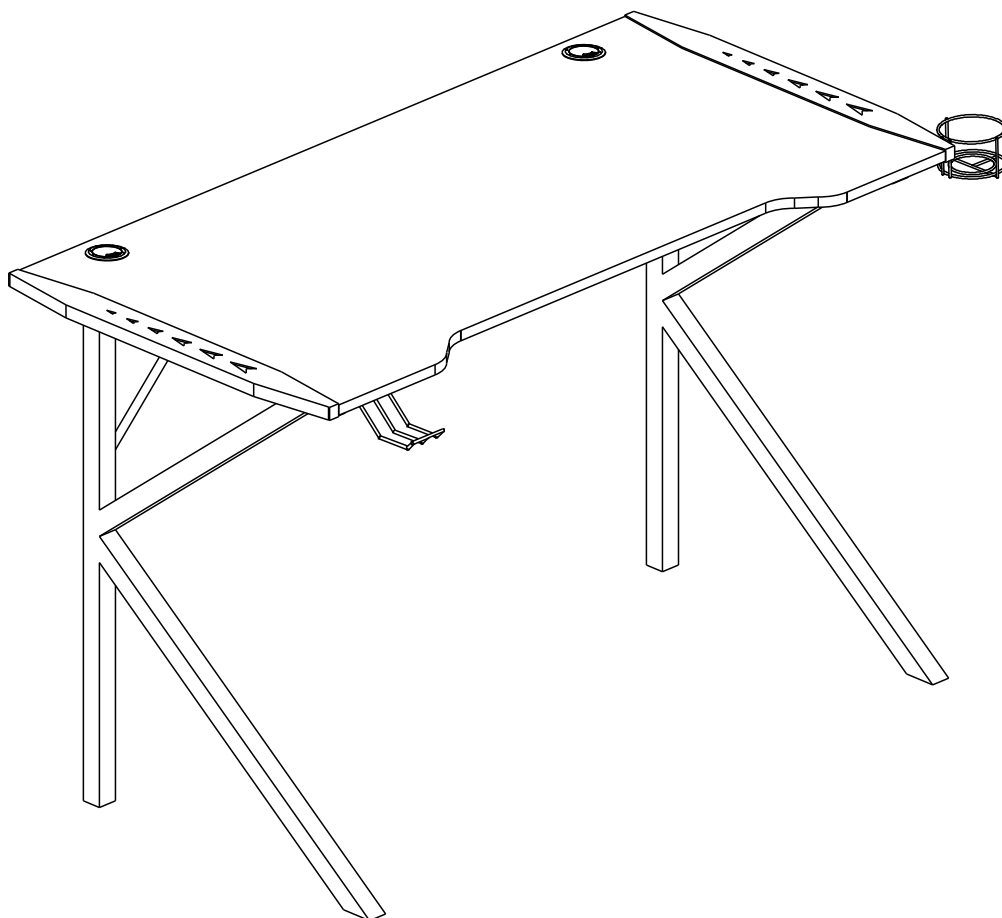
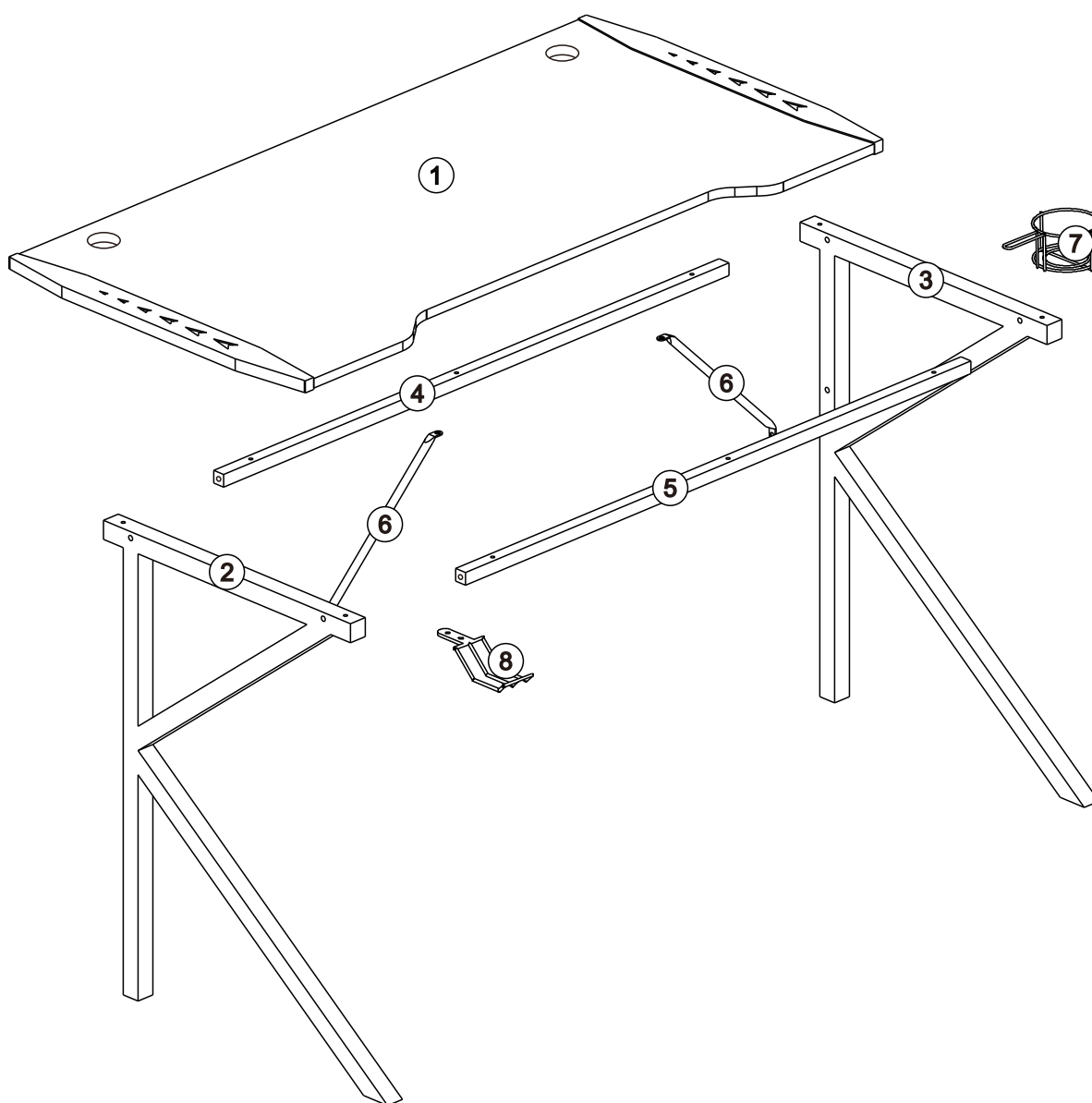


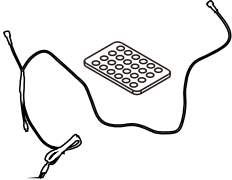
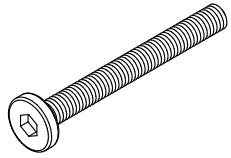
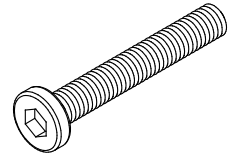
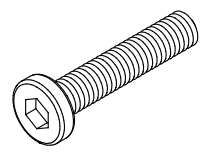
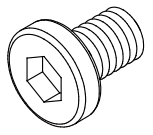
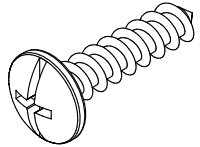
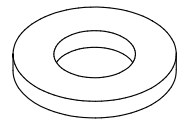
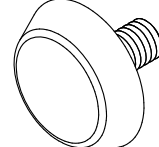
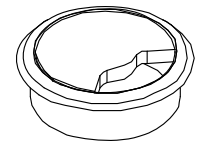
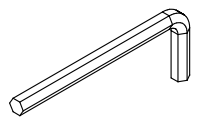
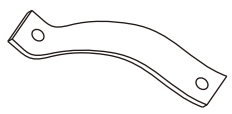
# NINJA



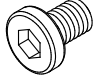
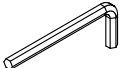
|   |   |               |   |
|---|---|---------------|---|
|   |   |               | ✓ |
| ① | 1 | 1400x600x18mm |   |
| ② | 1 | 735x510x30mm  |   |
| ③ | 1 | 735x510x30mm  |   |
| ④ | 1 | 1220x20x20mm  |   |

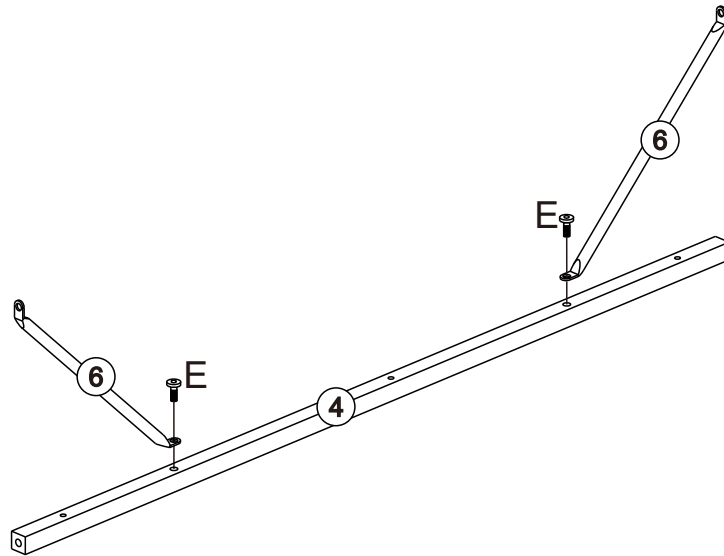
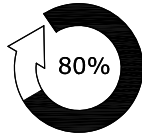
|   |   |              |   |
|---|---|--------------|---|
|   |   |              | ✓ |
| ⑤ | 1 | 1220x20x20mm |   |
| ⑥ | 2 | ∅10x330mm    |   |
| ⑦ | 1 | 155x95x40mm  |   |
| ⑧ | 1 | 160x50x20mm  |   |



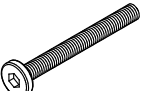
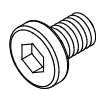

|  |   |   |  |  |
|--|---|---|--|--|
| <p>A x 1</p>  <p>1600 mm</p>  | <p>B x 4</p>  <p>M6x55 mm</p>  | <p>C x 4</p>  <p>M6x40 mm</p>    | <p>D x 6</p>  <p>M6x30 mm</p>  | <p>E x 4</p>  <p>M6x12 mm</p> |
| <p>F x 6</p>  <p>Ø5x14 mm</p> | <p>G x 8</p>  <p>Ø6/Ø13 mm</p> | <p>H x 2</p>  <p>M6/Ø17.5 mm</p> | <p>I x 2</p>  <p>Ø69x25 mm</p> | <p>J x 1</p>  <p>4 mm</p>     |
| <p>K x 2</p>  <p>200 mm</p>   |   |   |  |  |

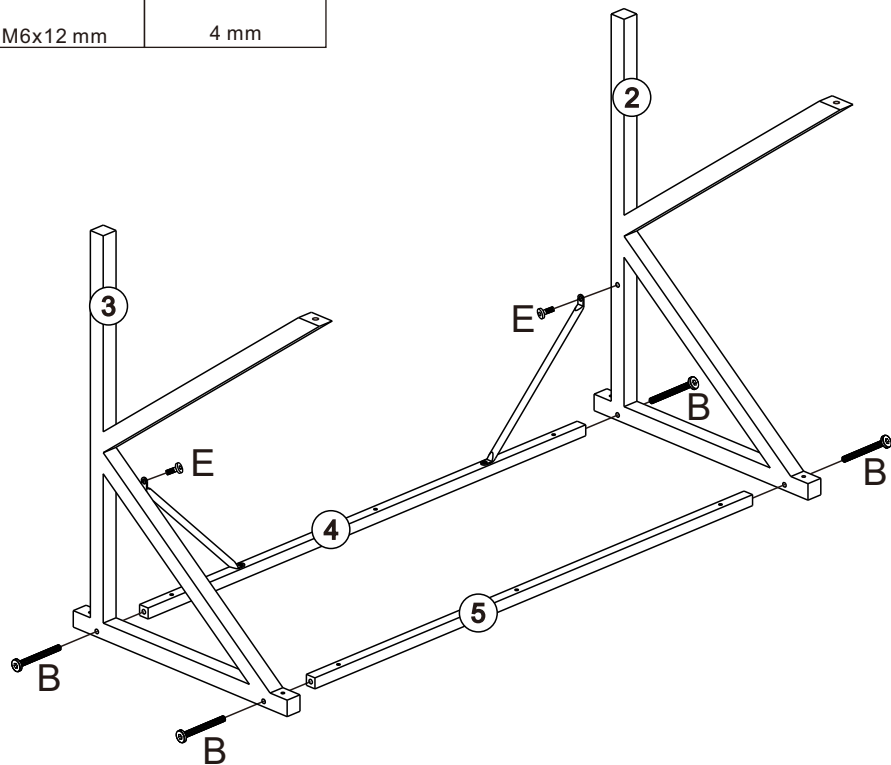
# 1

|   |   |
|---|---|
| E x 2   | J x 1   |
|  |  |
| M6x12 mm  | 4 mm  |

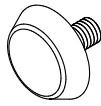
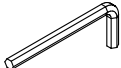


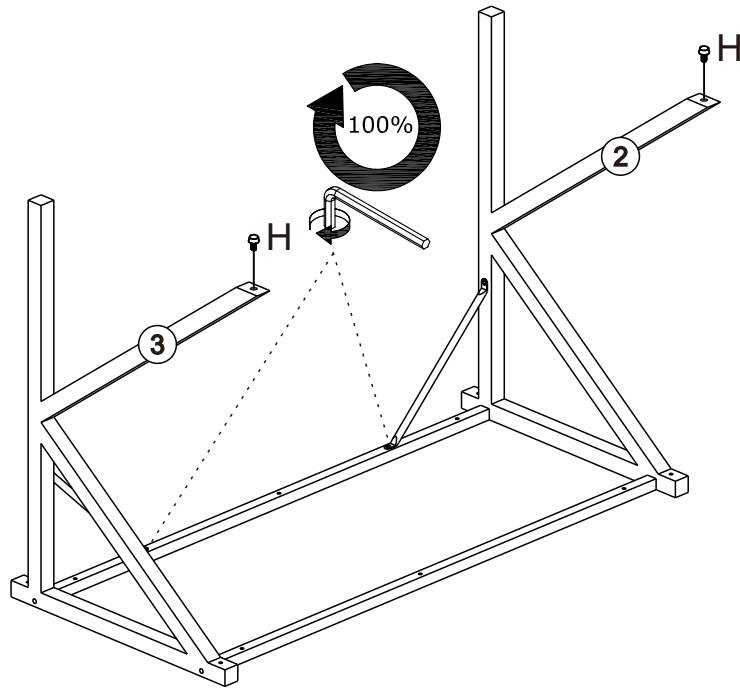
# 2

|   |   |   |
|---|---|---|
| B x 4   | E x 2   | J x 1   |
|  |  |  |
| M6x55 mm  | M6x12 mm  | 4 mm  |

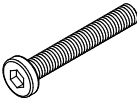
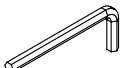


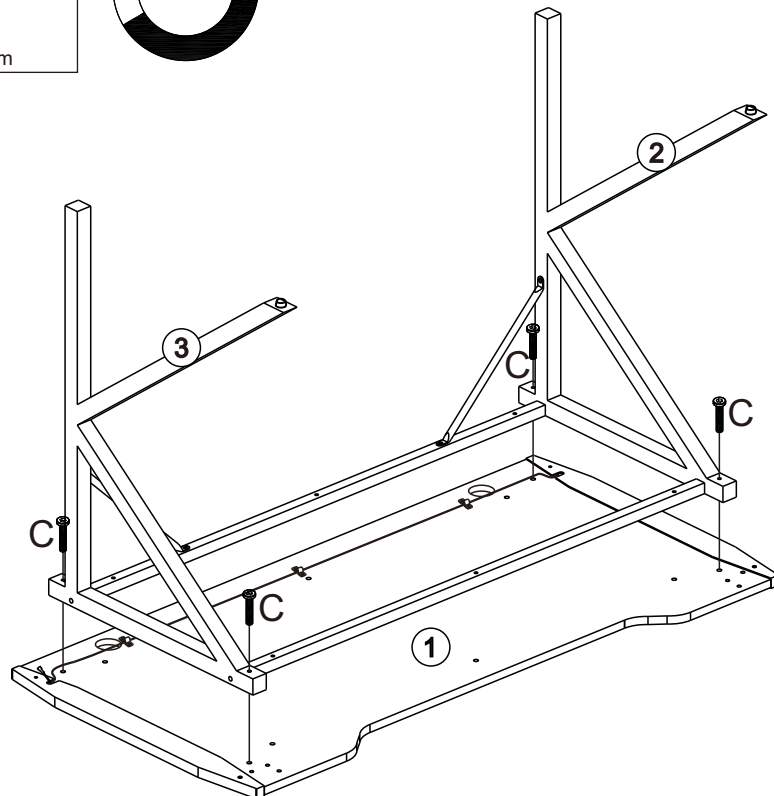
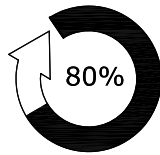
# 3

|   |  |
|---|--|
| H x 2<br><br>M6/Ø17.5 mm | J x 1<br><br>4 mm |
|---|--|

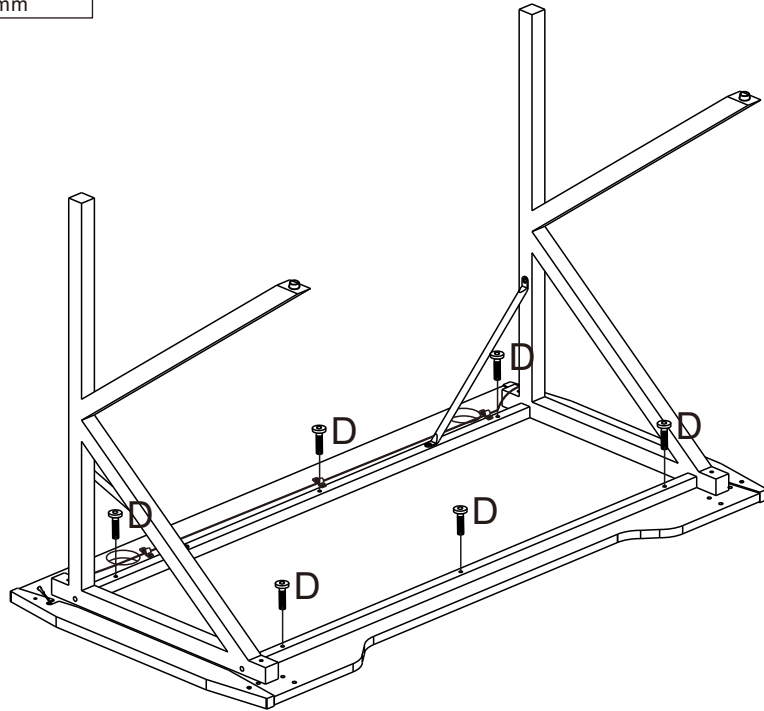
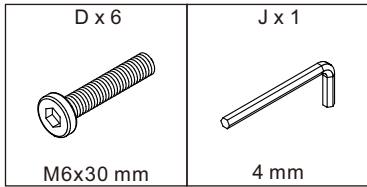


# 4

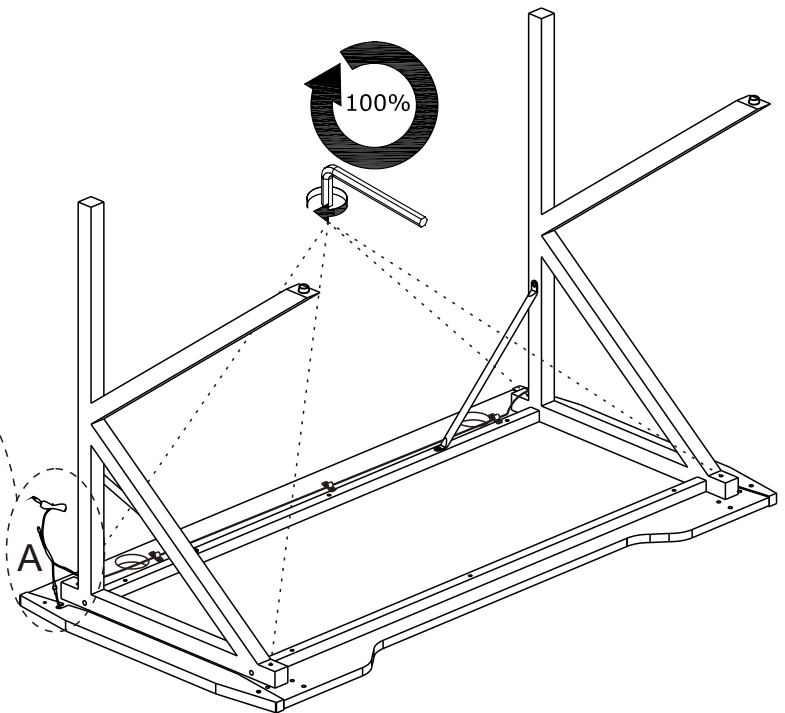
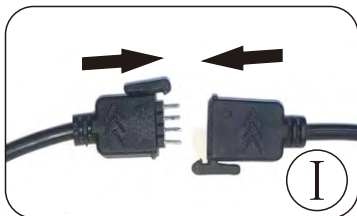
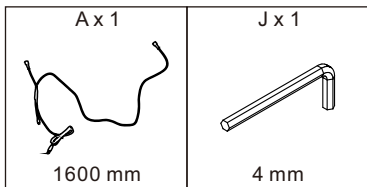
|  |  |
|--|--|
| C x 4<br><br>M6x40 mm | J x 1<br><br>4 mm |
|--|--|



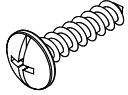


# 5

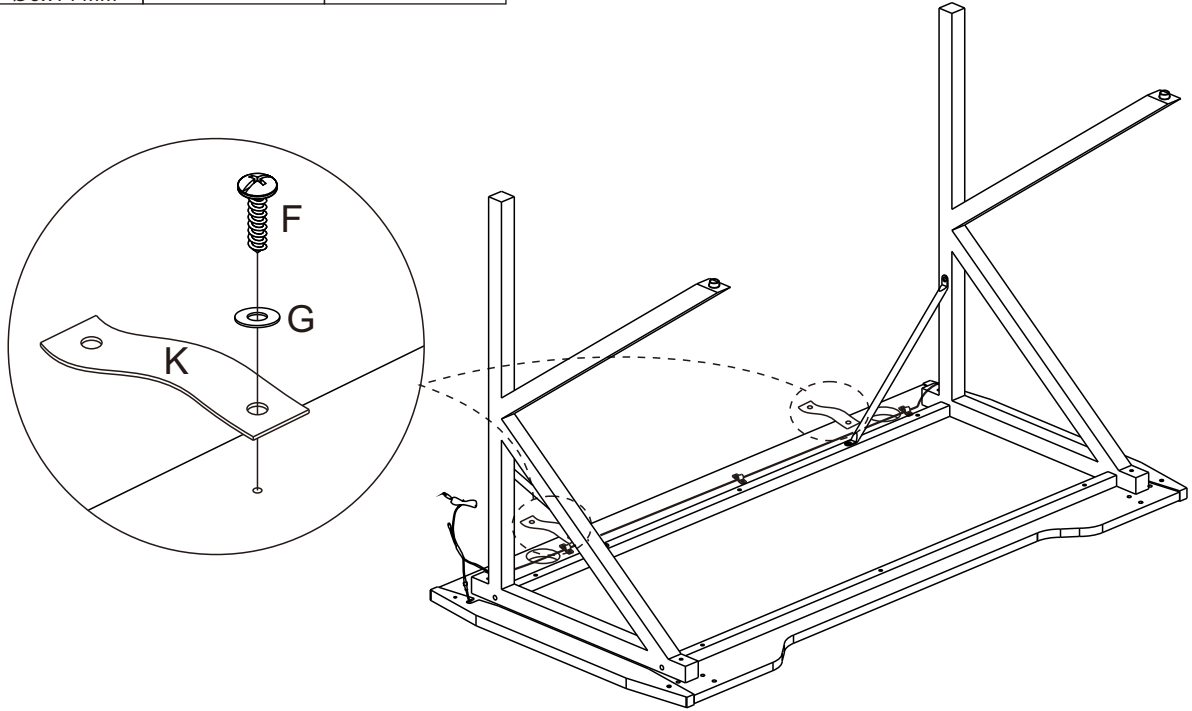
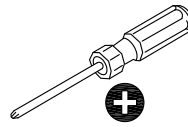


# 6




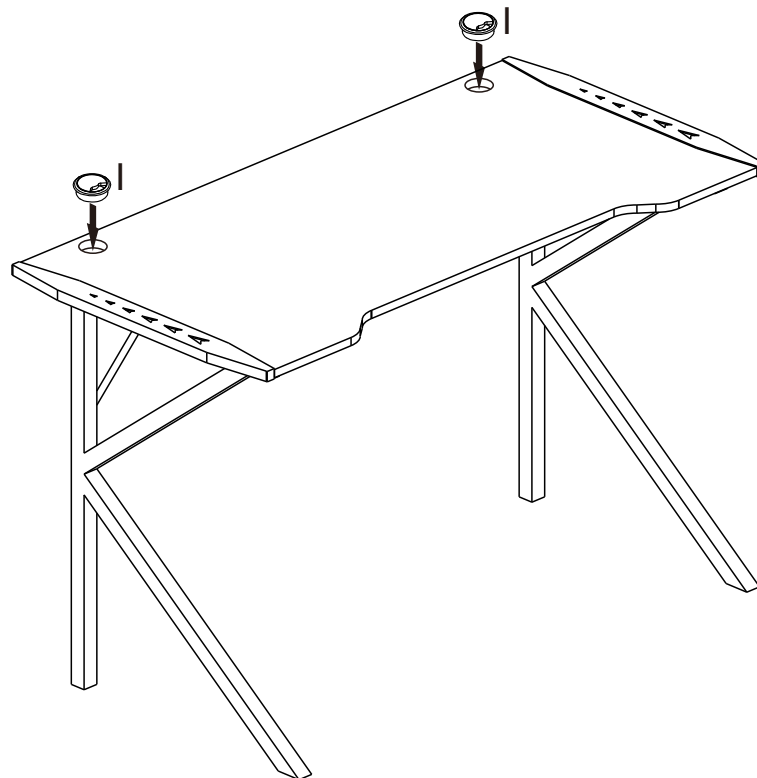
# 7

|  |   |  |
|--|---|--|
| F x 2<br><br>Ø5x14 mm | G x 2<br><br>Ø6/Ø13 mm | K x 2<br><br>200 mm |
|--|---|--|

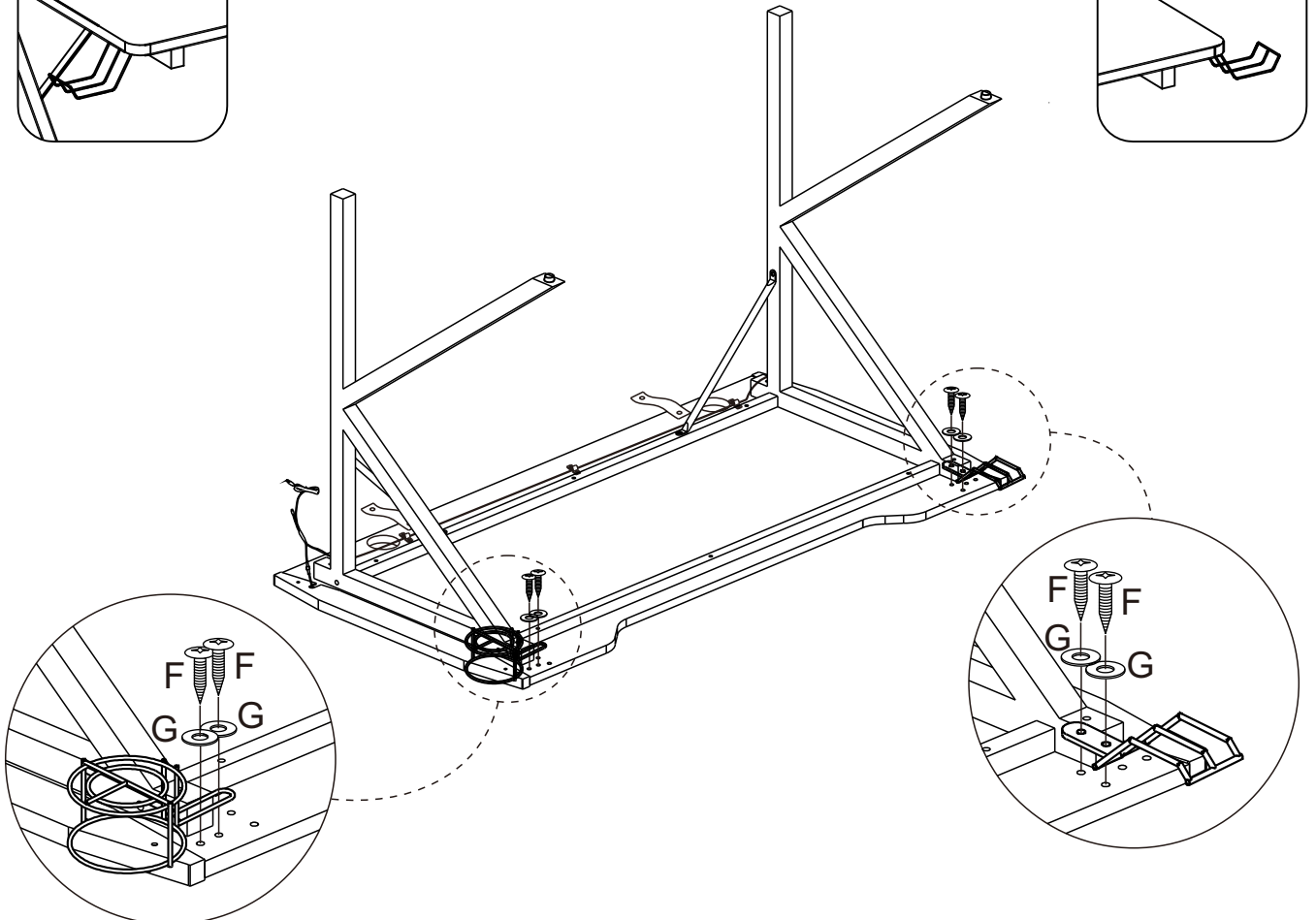
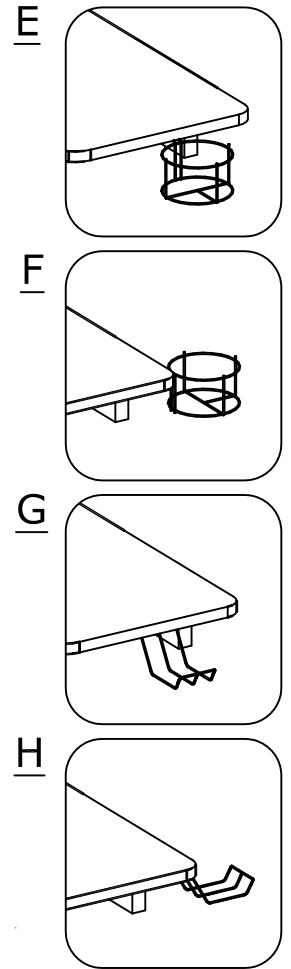
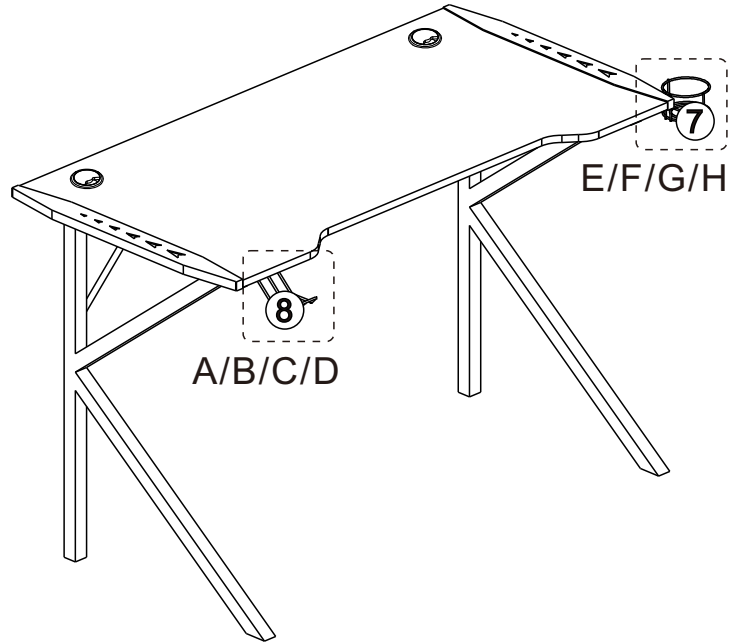
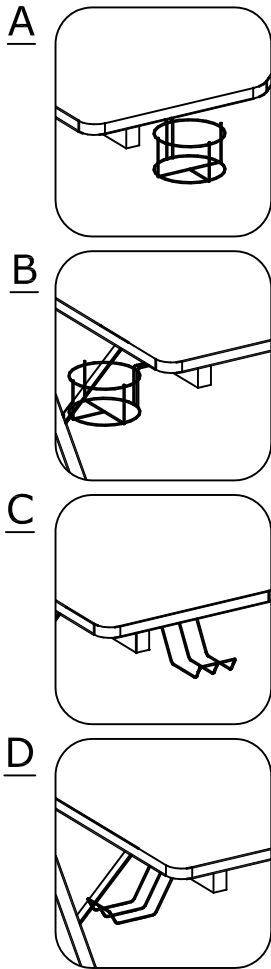
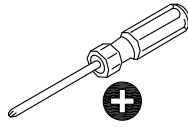
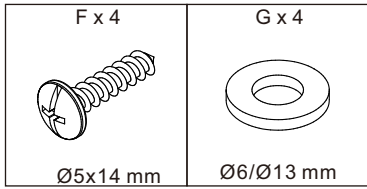


# 8

|   |
|---|
| I x 2<br><br>Ø69x25 mm |
|---|



# 9





# 10

