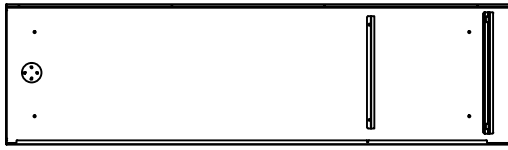
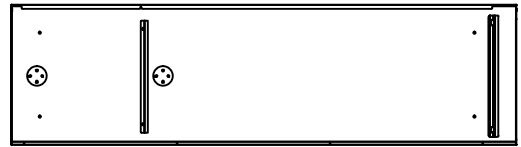


# ZM-UL80

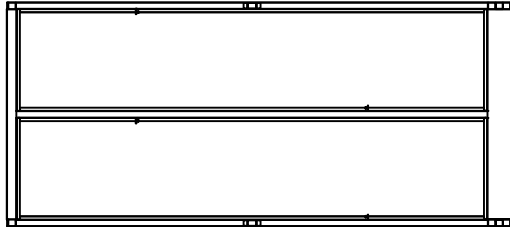
Ax1



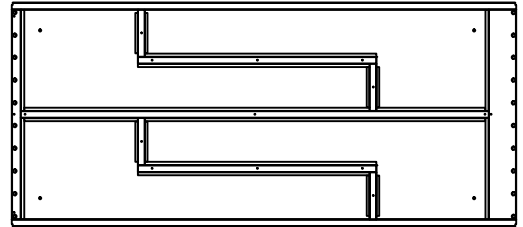
Bx1



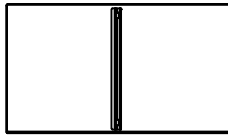
Cx1



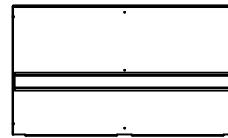
Dx1



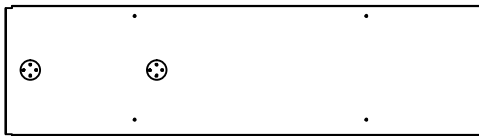
Ex1



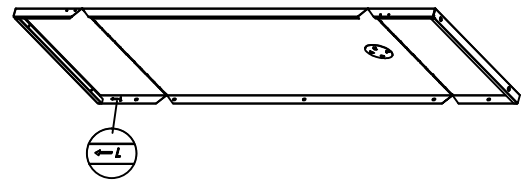
Fx1



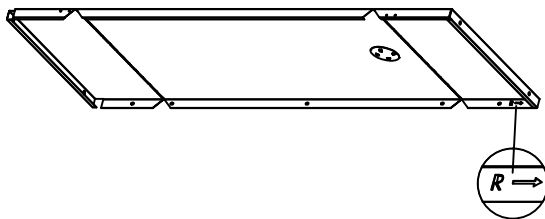
Gx1



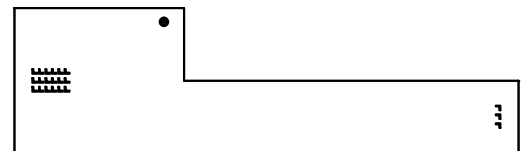
Hx1



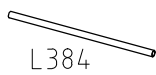
Ix1



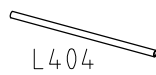
Jx4



Kx1



Lx1



Mx1



Nx1



Ox8



Px55



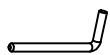
Qx4



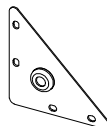
Rx4



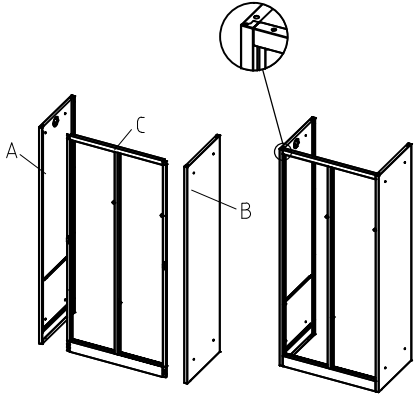
Sx4



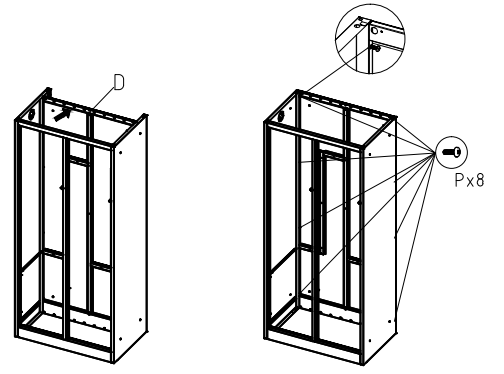
Tx4



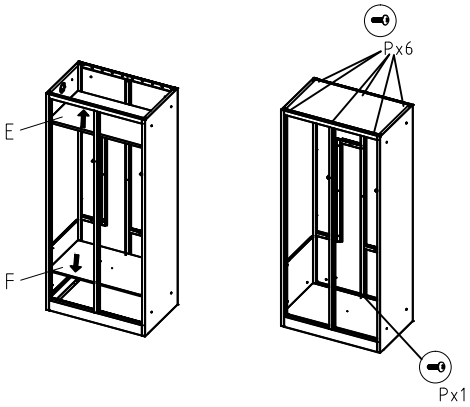
1



2



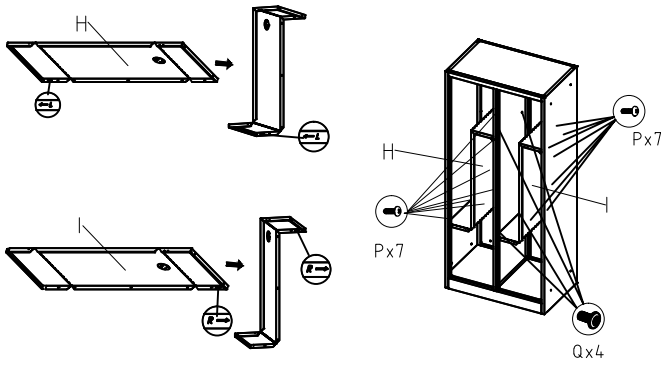
3



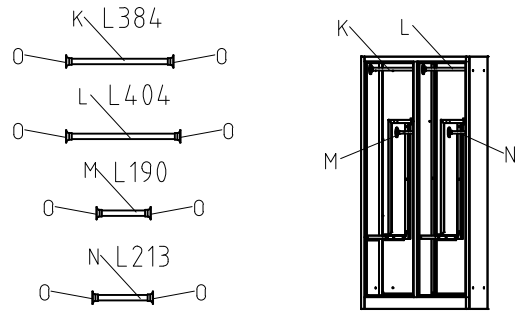
4



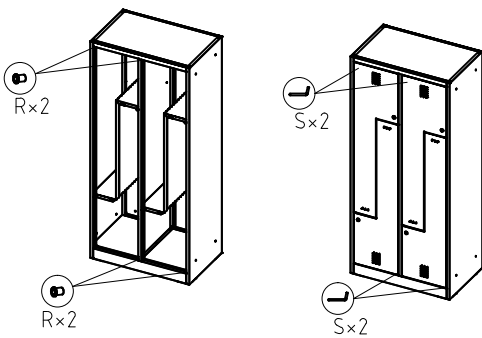
5



6



7



8

